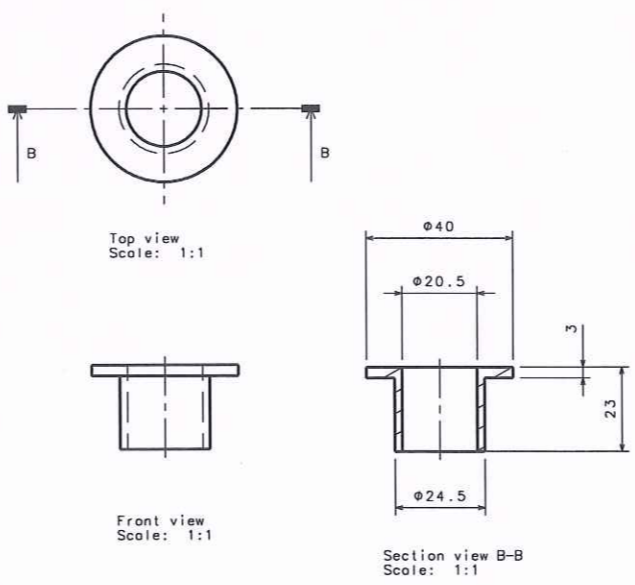
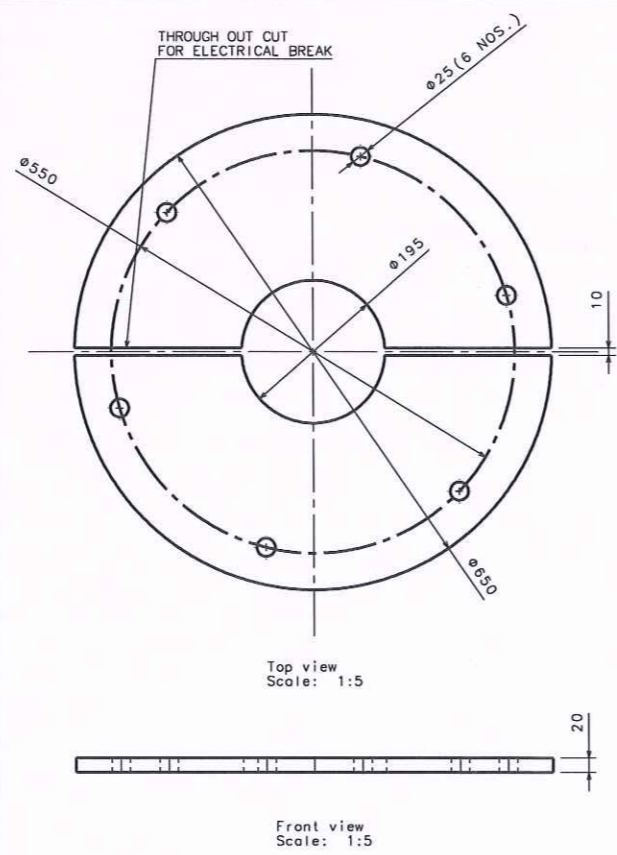
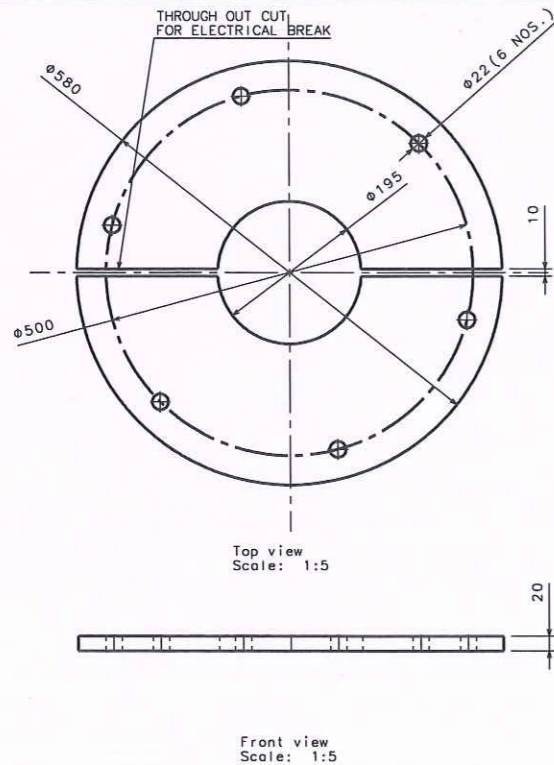


प्लाज्मा अनुसंधान संस्थान, गांधीनगर /
INSTITUTE FOR PLASMA RESEARCH
GANDHINAGAR
अनुमोदित आरेख / APPROVED DRAWING
हस्ताक्षर / Sign: *[Signature]* तारीख / Date: 11/3/15



NOTE:
01) BASE SPACER SHOULD BE MADE IN TWO HALVES FOR ELECTRICAL ISOLATION, MAINTAINING CYLINDRICITY.

SR.	PART NO.	DESCRIPTION	MATERIAL	QTY	REMARKS
08	08	INSULATION SPACER	G10	02	
07	07	RIB-2	SS304L	02	
06	06	INSULATION BUSH	G10	06	
05	05	INSULATION PAD	G10	01	
04	04	TOP PLATE	SS304L	01	
03	03	RIB-1	SS304L	04	
02	02	CENTRAL PIPE	SS304L	01	
01	01	BOTTOM PLATE	SS304L	01	

DRG. NO	REV	ZONE	DESCRIPTION	DATE	REMARKS	APPROVED BY	ASS'Y GROUP	SIZE	INSTITUTE FOR PLASMA RESEARCH
01	8-25	1.6-8	0.025-1.6	0.025				A1	BHAT, GANDHINAGAR-382 426.
MACHINING DEVIATIONS FOR NON-TOLERANCED DIMENSIONS							SCALE	DATE	TITLE
LENGTH IN mm OF SHORTER SIDE OF ANGLES		LENGTH OR DIA	UPTO 6	6-30	30-120	120-315	KIRIT	09/03/15	BASE SPACER FOR SUPER CONDUCTING CS
UPTO 10	10-50	50-120	OVER 120-400				CHECKED	PRABAL	REV 00
±1'	±0'.30'	±0'.20'	±0'.10'				APPROVED	P. SANTRA	SHEET 01 OF 01
							DRG. NO	02010012AA	