

INSTITUTE FOR PLASMA RESEARCH

An Aided institute of department of Atomic Energy, Govt. of India)
Near Indira Bridge, Bhat. DIST.GANDHINAGAR - 382 428 (INDIA)
PHONE :(079-2396 2000),FAX :91-079-23962277
Web : www.ipr.res.in

MINOR FABRICATION WORKS ENQUIRY

Office Copy

ENQUIRY NO :IPR/MFW/21-22/132

Date : 18-04-2022

Due Date : 09-05-2022 13:00 IST

Please send your offer in sealed envelope specifying Inquiry No, Date & Due Date, ALONG WITH your credentials for the following items:

Important Note:

Please note that e-mail quotations are not acceptable however you may send your queries (if any) to **pramod@ipr.res.in**

Please Ensure that your sealed quotation reaches this office not later than above mentioned due date and time.

Kindly go through the following document properly before Quoting which are available on the IPR web portal i.e., <http://www.ipr.res.in/documents/tenders.html/> attached here with.

1. Technical specification as enclosed.
2. Instruction to the bidders & terms and Condition (refer Form NO:IPR-MFW-01-V1)
3. Bidding format(refer Biddingformat MFW-Bid.pdf)

GST fro Goods and Services (IGST/CGST/SGST TAX BENEFITS): PLEASE REFER clause no:8 of Form No:IPR-MFW-01-V1

QUOTATION SHOULD BE ADDRESSED TO **PRAMODKUMAR SHARMA** ONLY.

Sr.No.	Description	Quantity	Rate
1	Fabrication of lead collimator along with its support structure as per attached specifications and drawings.	1	No.

Free Issue Material

Sr.No.	Description	Quantity	Unit	Value
--------	-------------	----------	------	-------

Note : Please quote with complete technical details (Technical Compliance sheet and product data sheet)

Encl:As per attachment

P. Sharma

Sd/-
PRAMODKUMAR SHARMA
Scientific Officer-G

Annexure-1

Fabrication of lead collimator along with its support structure as per attached specifications and drawings:

1. Job Descriptions:

A) Lead collimator:

The lead collimator consist of two components. First components defined as **collimator shielding (Mentioned as component-2 in the fabrication drawing file)** .The second components defined as **collimator shielding_2 (Mentioned as component-3 in the fabrication drawing file)**. **These two components are in the form of arc**. All the dimensional details has been mentioned in the attached drawing in page-2. The materials should be pure lead. Components 2 & 3 should be made from a solid material. All dimension and tolerances should be as per the attached fabrication drawing, included in annexure-2.

B) Hylam block:

A hylam block (**mentioned as components-5 in the fabrication drawing file**) would be fabricated as per the details drawing mentioned in the page-2 of drawing file.

C) SS-304 support:

To hold the lead collimator and hylam block a support structure would be made using two side plates and one bottom plate made out of SS-304. (**Mentioned as components-7 and 8 respectively in the fabrication drawing file page-3**)

D) SS-304 base plate:

Again to fix the above mentioned parts mentioned in above paragraph-A, B, C, a base plate made out of SS-304 would be fabricated as per attached drawings. (**Mentioned as components-6 in the fabrication drawing file, page-3**)

Note: Please refer to the fabrication drawing for more details.

2. Scope of Work:

- Vendor should fabricate the above mentioned components as per attached specifications and drawing (3 sheets of fabrication drawing is attached).
- Vendor has to assemble/disassemble all the fabricated components to check the assembly/disassembly for proper fitting of nut and bolts etc.
- Vendor should provide all necessary nuts and bolts (of material SS-304) for fitting the same.
- Vendor has to provide the dimensional test report of the lead collimator along with its support structure.
- Vendor should use **pure lead material (99.9 % or above)** for the fabrication of lead collimator.

3. Drawing :

Fabrication drawing of lead collimator along with its support structure consist of 3 pages. All the dimensions and tolerances are mentioned in the drawing. To fabricate the lead collimator along

with its support structure, vendor need to fabricate different components mentioned in the attached fabrication drawing file.

4. Acceptance Criteria:

(A) Acceptance Test at Vendor Site:

- (1) Raw material test certificates (for lead and SS-304) from government approved laboratory.
 - (I) Raw material coupon which is drawn from original material for testing will be submitted along with test result.
 - (II) Raw material Ultrasonic test
 - (III) Mechanical Test- Tensile and Hardness testing
 - (IV) Chemical testing
 - (V) Lead Material purity test
- (2) Testing of components
 - (I) Visual Test
 - (II) Dimensional Test

(B) Acceptance Test at IPR:

Final Acceptance Test will be carried out at IPR as mentioned in vendor site test Sr. No. 4-(A)-(2).

5. General Terms and Conditions:

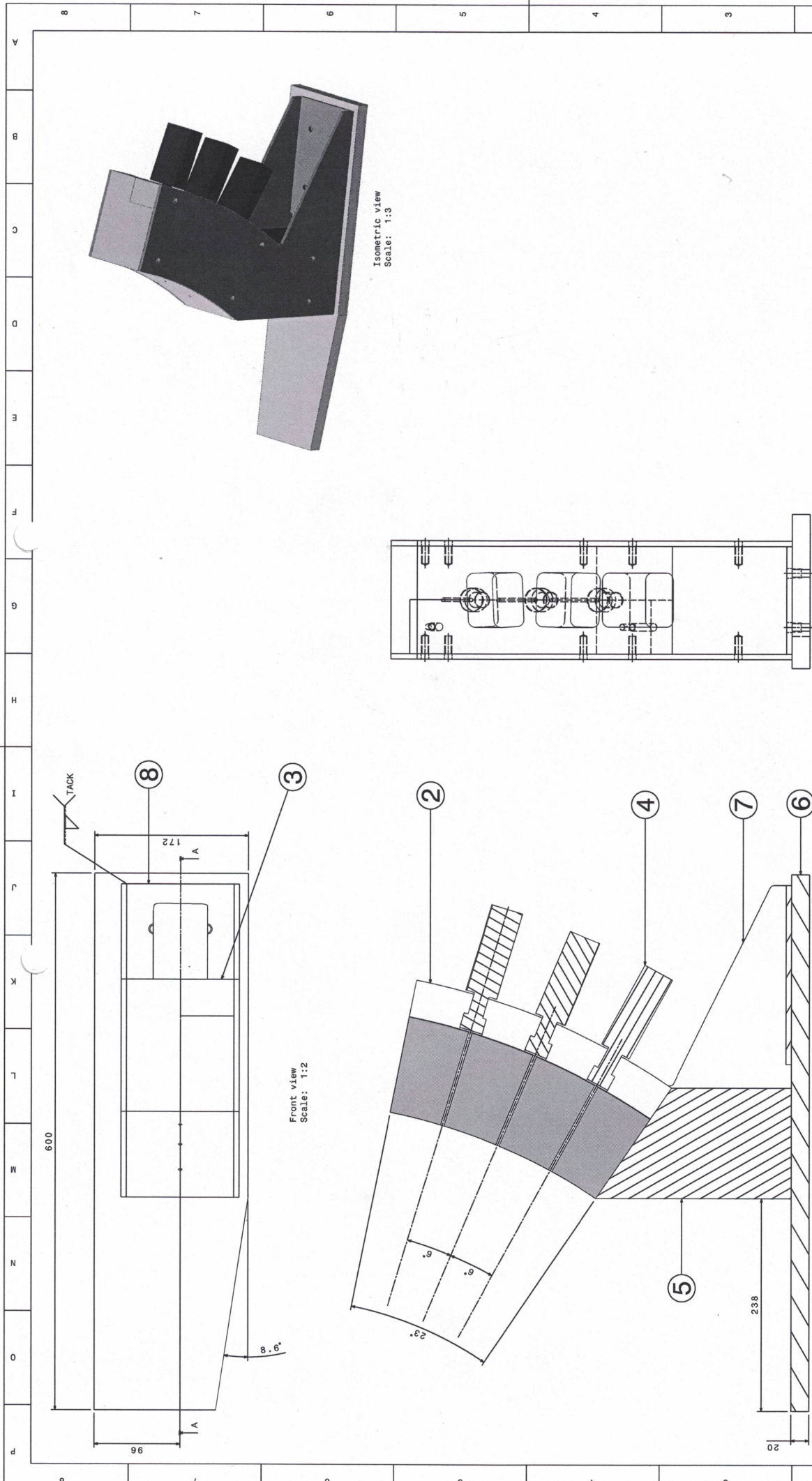
- i) Vendor has to submit the raw material test certificates at IPR before starting fabrication works for its approval.
- ii) All the materials to be used should be of good quality and free from any defects.
- iii) Vendor is solely responsible for Material test and components fabrication.
- iv) The vendor has to arrange for the entire required test.
- v) All the test reports, mentioned in 4-A-1 and 4-A-2 should be submitted to IPR to obtain pre-dispatch clearance certificate and GST exemption certificate, prior to delivery.
- vi) Components/Assembly with all accessories have to be delivered to IPR only after receiving the pre-dispatch clearance from IPR.
- vii) IPR representative will give final acceptance only after successful completion of all measurements and inspection at IPR site only.

6. Packing and Supply:

The component / assembly is to be packed properly while supplying to IPR. Any damage to the parts during transportation to IPR or by any other causes will not be accepted. Damaged part will be returned at supplier cost for repair or replace works; vendor should repair/replace and deliver it to IPR free of cost.

Annexure-2

Fabrication drawing of the components



REV	DATE	DESCRIPTION	REVISION COLUMN	REV	DATE	DESCRIPTION	REVISION COLUMN
8		01V038177 BOTTOM PLATE		SS	1		
7		01V038176 SIDE SUPPORT		SS	2		
6		01V038175 BASE PLATE		ALUMINUM	1		
5		01V038174 RFLUM BLOCK		HYLUM	1		
4		01V038172 DETECTOR		Lead	3		
3		01V038173 COLLIMATER SHILDING 2		Lead	1		
2		01V038170 COLLIMATER SHILDING 1		Lead	1		
1		ADITYA U PORT LOCATION PORT NO-3 COLLIMATER		Material	1		

Auxiliary view D
Scale: 1:2

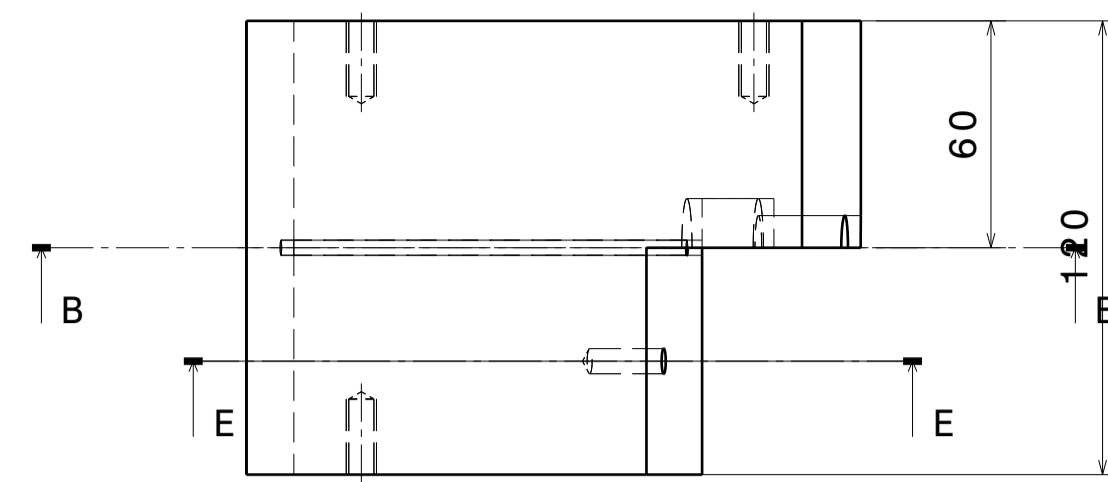
REV	DATE	DESCRIPTION	REVISION COLUMN
1		ADITYA U PORT LOCATION PORT NO-3 COLLIMATER	

Section view A-A
Scale: 1:2

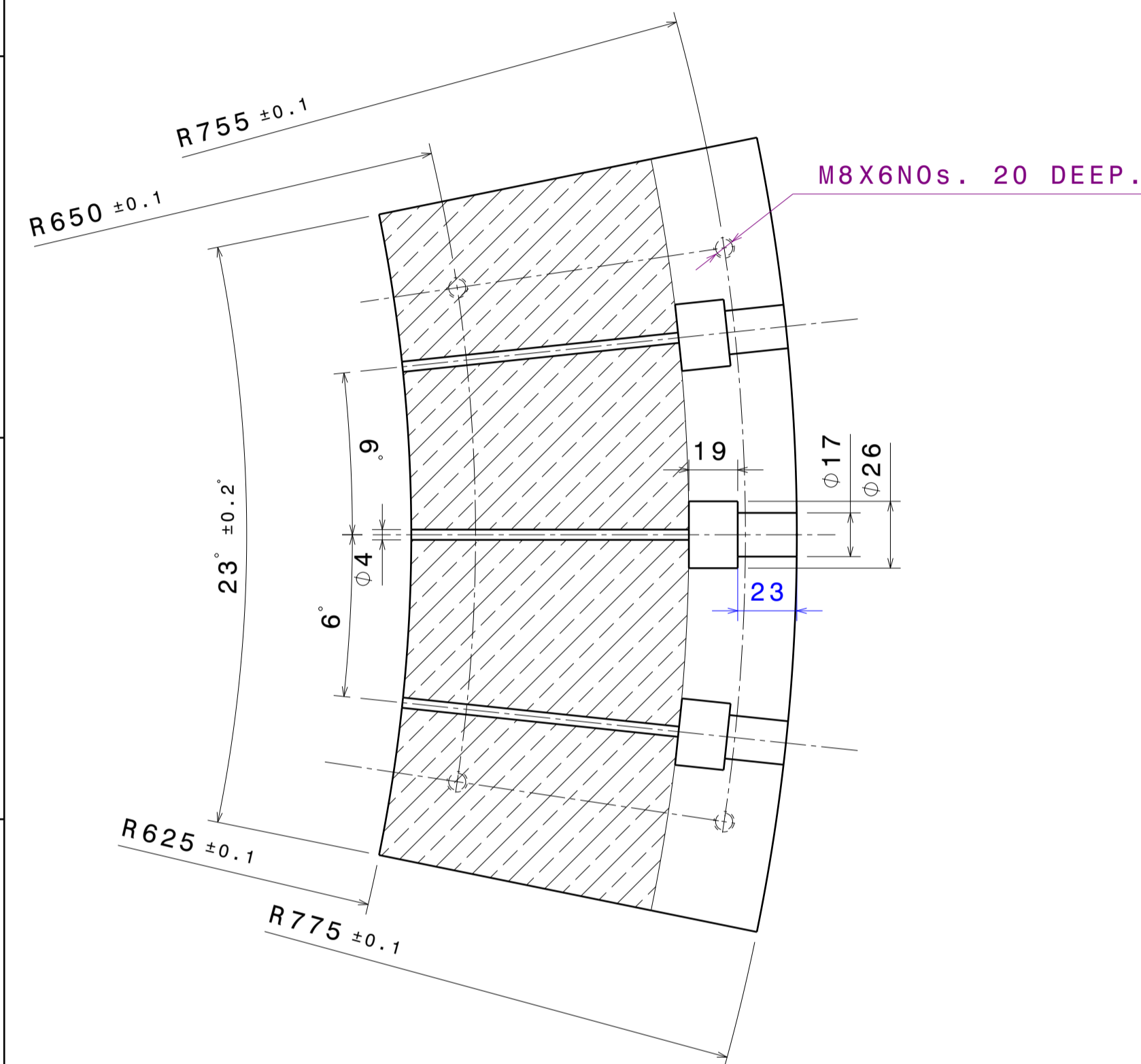
REV	DATE	DESCRIPTION	REVISION COLUMN
1		ADITYA U PORT LOCATION PORT NO-3 COLLIMATER	

REV	DATE	DESCRIPTION	REVISION COLUMN	REV	DATE	DESCRIPTION	REVISION COLUMN
8		01V038177 BOTTOM PLATE		SS	1		
7		01V038176 SIDE SUPPORT		SS	2		
6		01V038175 BASE PLATE		ALUMINUM	1		
5		01V038174 RFLUM BLOCK		HYLUM	1		
4		01V038172 DETECTOR		Lead	3		
3		01V038173 COLLIMATER SHILDING 2		Lead	1		
2		01V038170 COLLIMATER SHILDING 1		Lead	1		
1		ADITYA U PORT LOCATION PORT NO-3 COLLIMATER		Material	1		

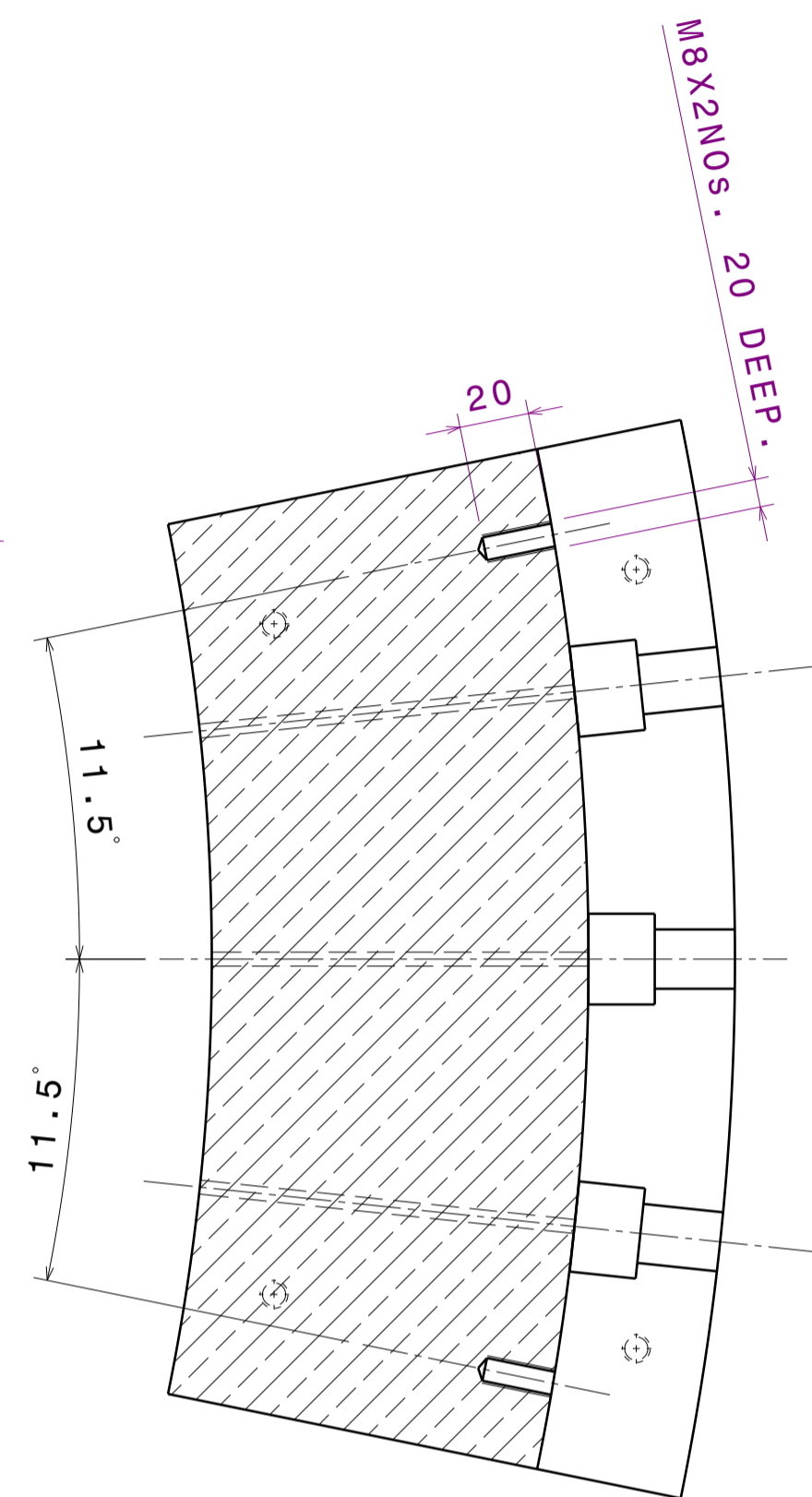
REV	DATE	DESCRIPTION	REVISION COLUMN
1		ADITYA U PORT LOCATION PORT NO-3 COLLIMATER	



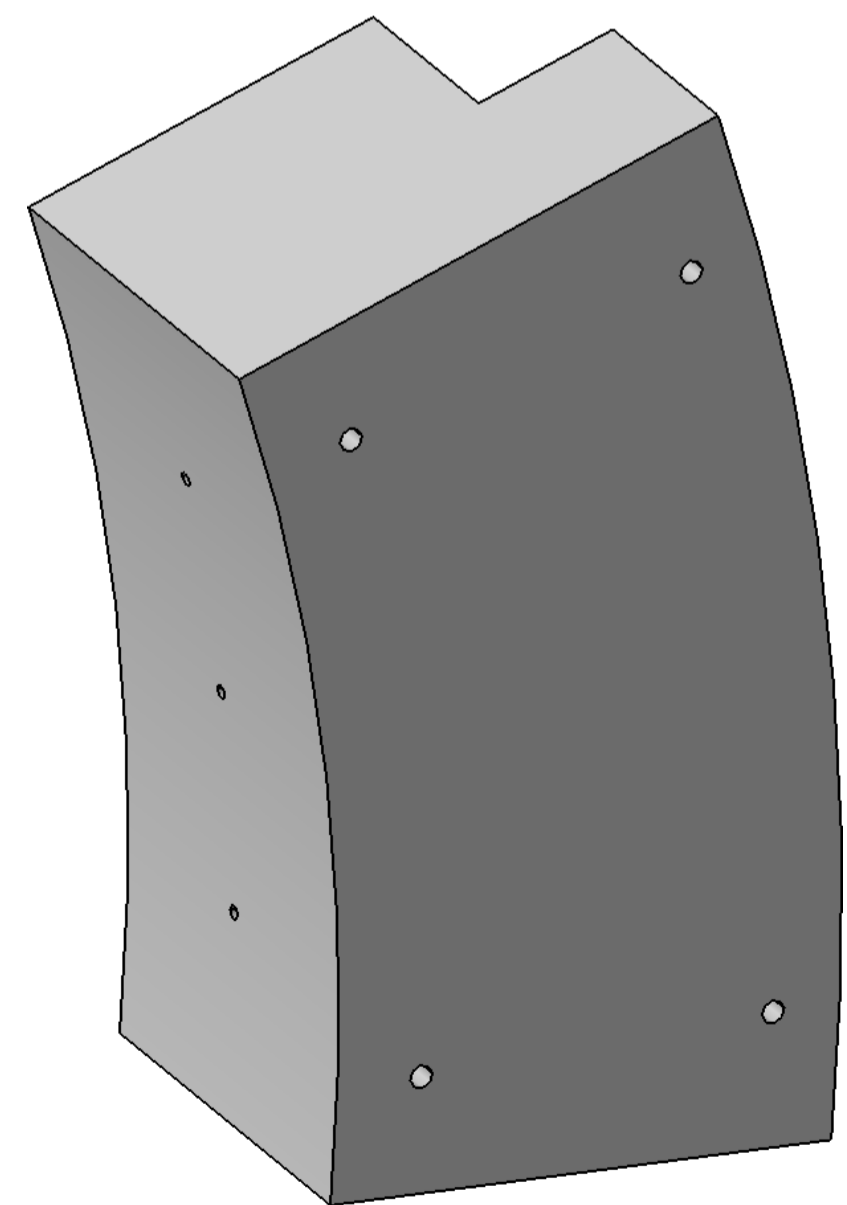
Front view
Scale: 1:2



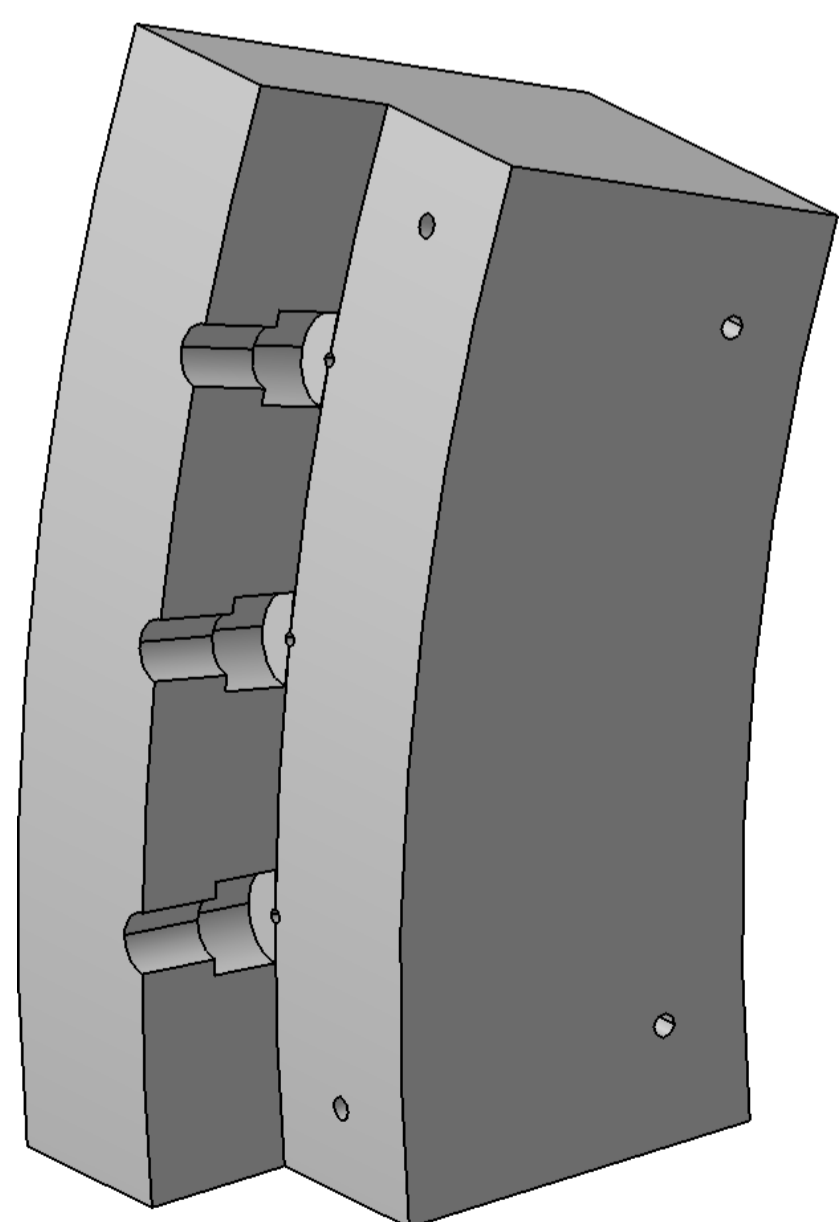
Section view B-B
Scale: 1:2



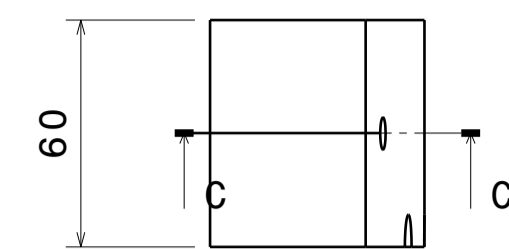
Section view E-E
Scale: 1:2



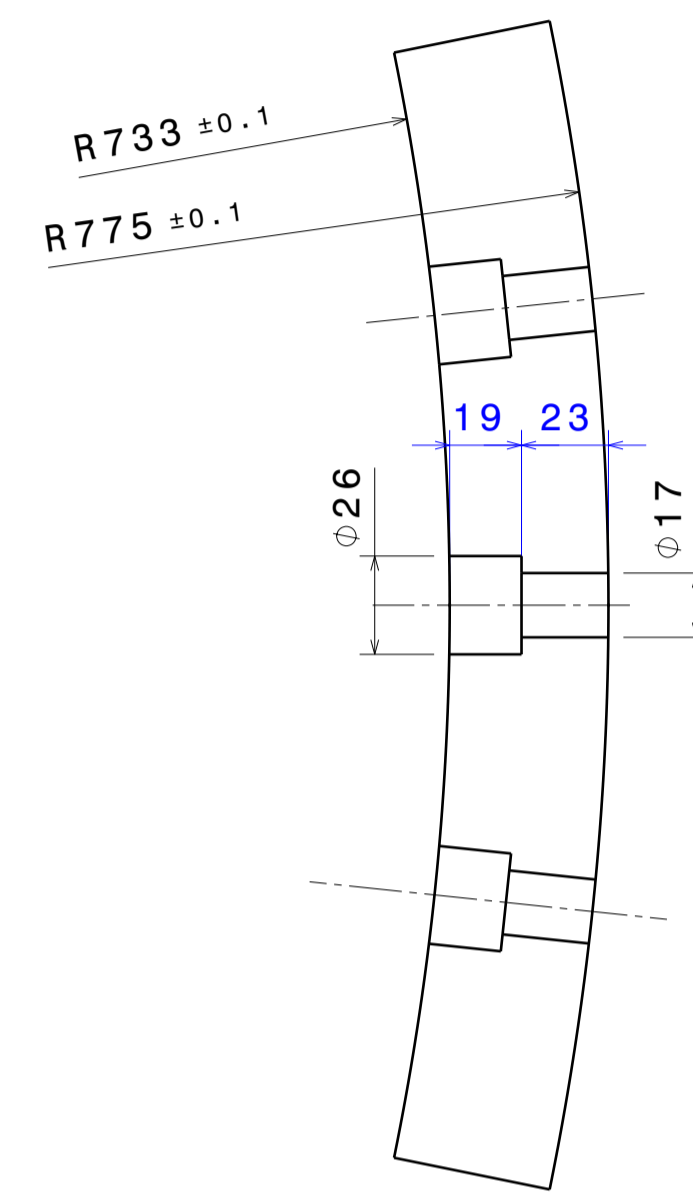
Isometric view
Scale: 1:2



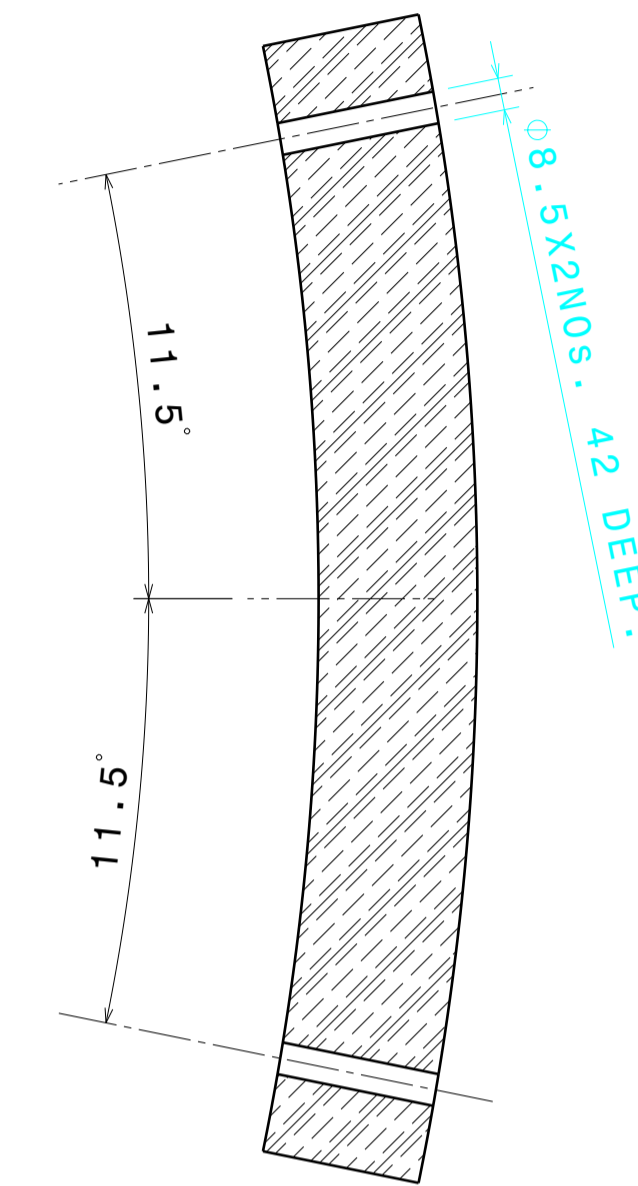
Isometric view
Scale: 1:2



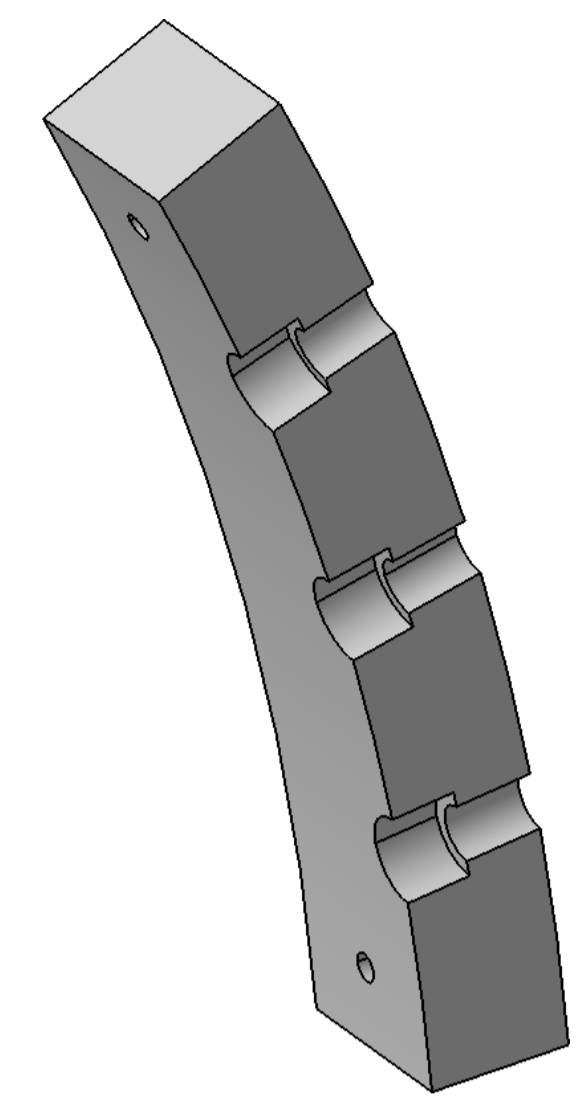
Top view
Scale: 1:2



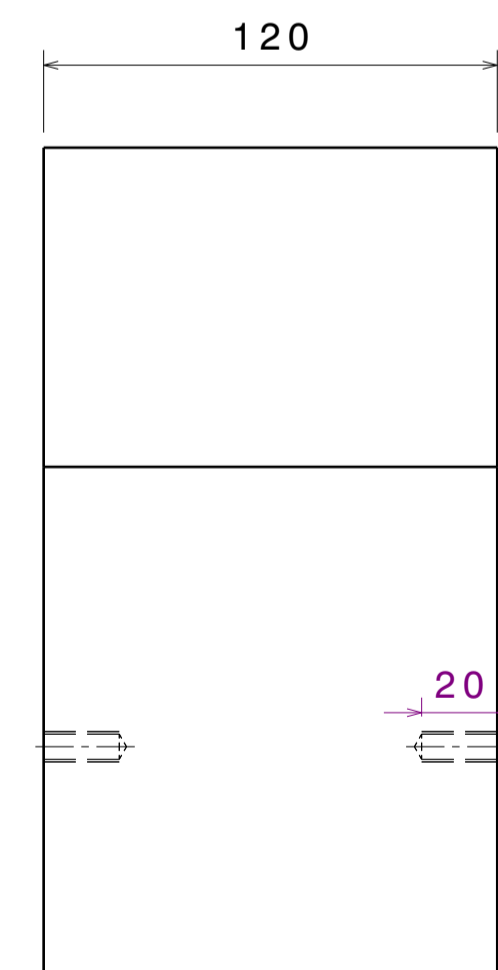
Auxiliary view F
Scale: 1:2



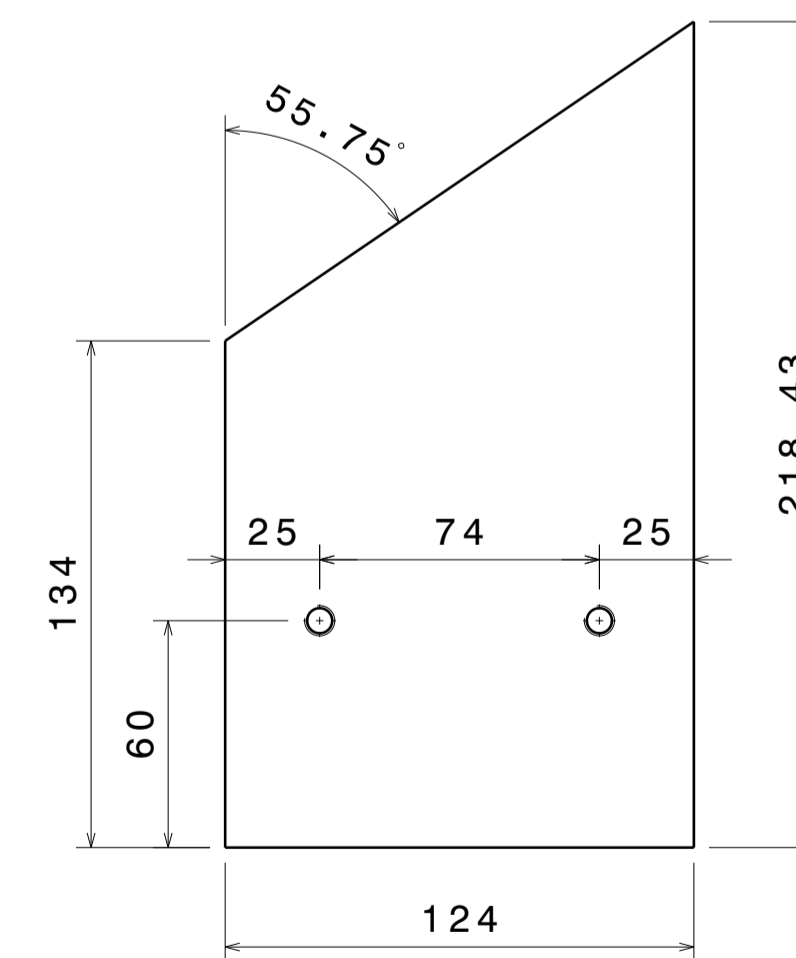
Section view C-C
Scale: 1:2



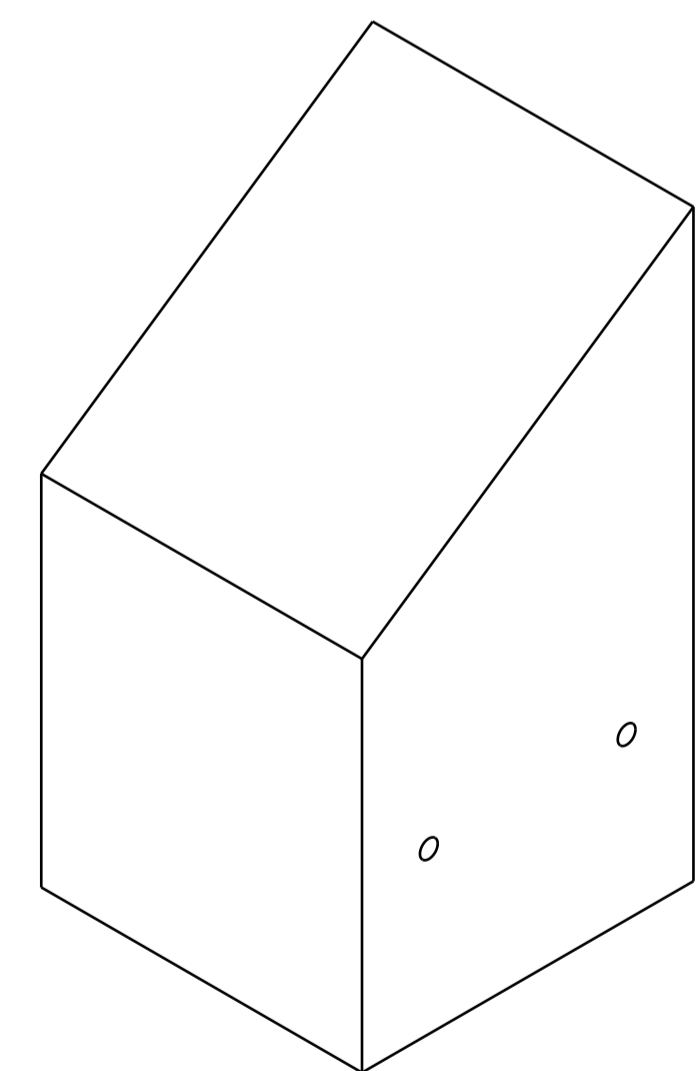
Isometric view
Scale: 1:2



Left view
Scale: 1:2



Front view
Scale: 1:2



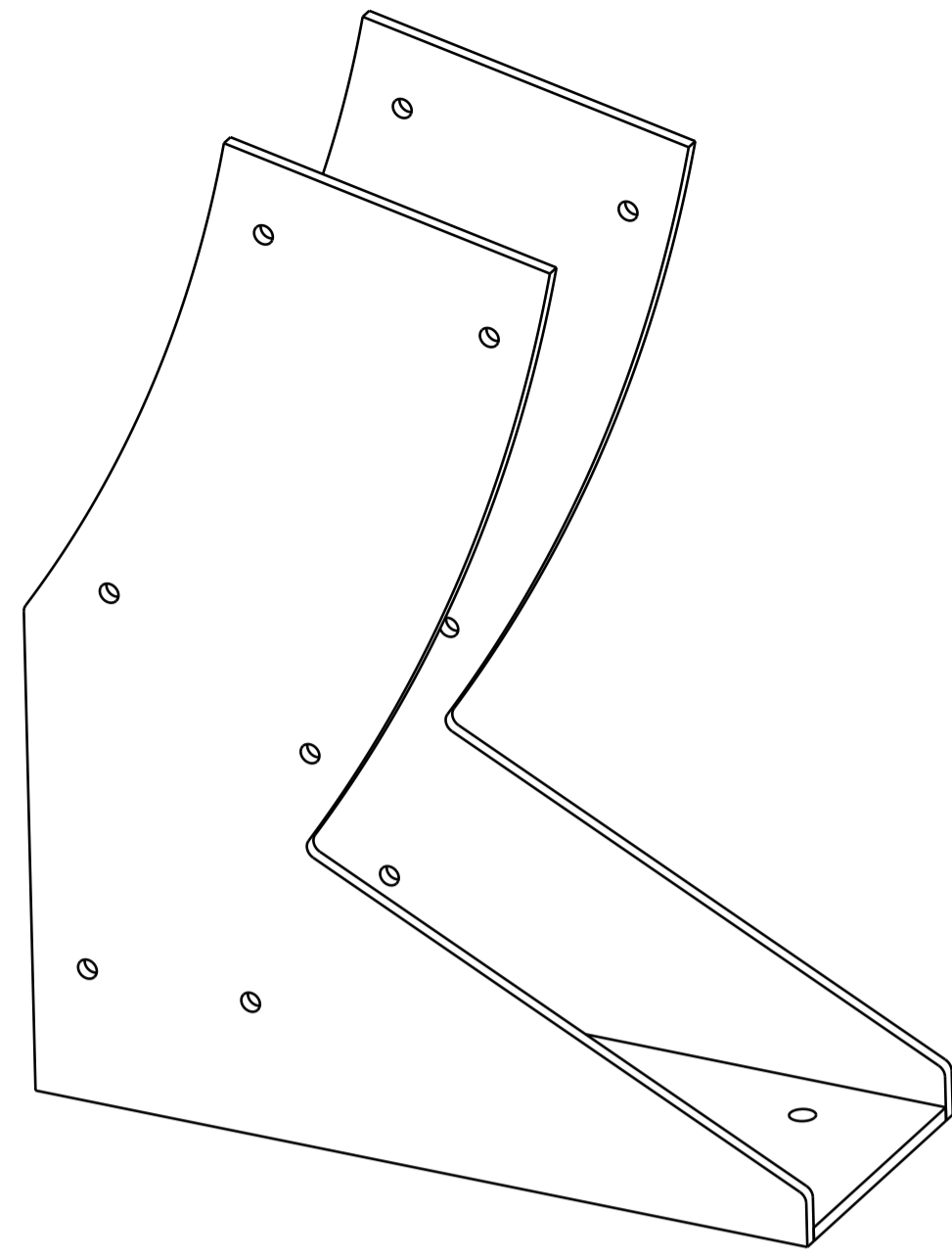
Isometric view
Scale: 1:2

2

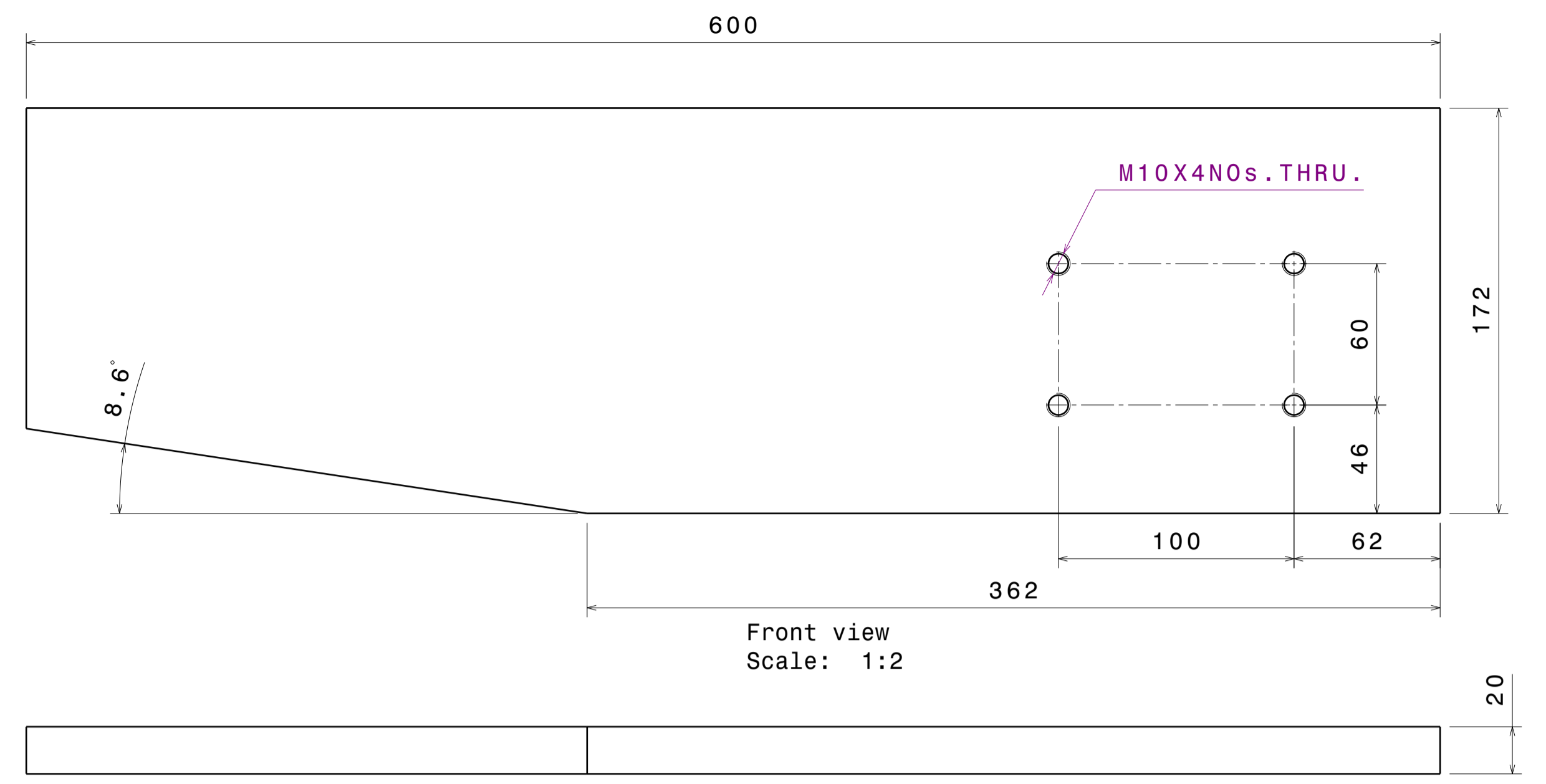
3

5

DRG.NO	▽ 8-25	▽▽ 1.6-8	▽▽▽ 0.025-1.6	▽▽▽▽ < 0.025	REVISION COLUMN				ASS'Y GROUP:	SIZE	INSTITUTE FOR PLASMA RESEARCH			
CO-ORDINATED BY					REV	ZONE	DESCRIPTION	DATE	REMARKS	APPROVED BY	ALL DIMENSIONS ARE IN "mm" UNLESS OTHERWISE STATED	A1	BHAT, GANDHINAGAR-382 428.	
MACHINING DEVIATIONS FOR NON-TOLERANCED DIMENSIONS														
LENGTH IN mm OF SHORTER SIDE OF ANGLES				LENGTH OR DIA	UPTO 6	6-30	30-120	120-315			SCALE	DATE	TITLE	
UPTO 10	10-50	50-120	OVER 120-400		±0.1	±0.2	±0.3	±0.5			DRAWN	VRP	COLIMATER DETAILS	
+1'	+0'-30'	+0'-20'	+0'-10'								DESIGNED	J.KUMAR	REF DRG NO:	A1
											APPROVED	J.KUMAR	DRG.NO	A1
													REV RD	SHEET 02 OF 03



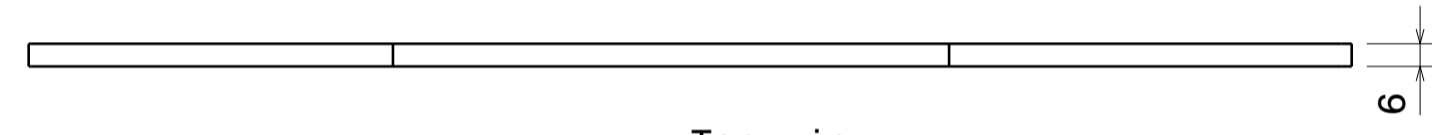
Isometric view
Scale: 1:3



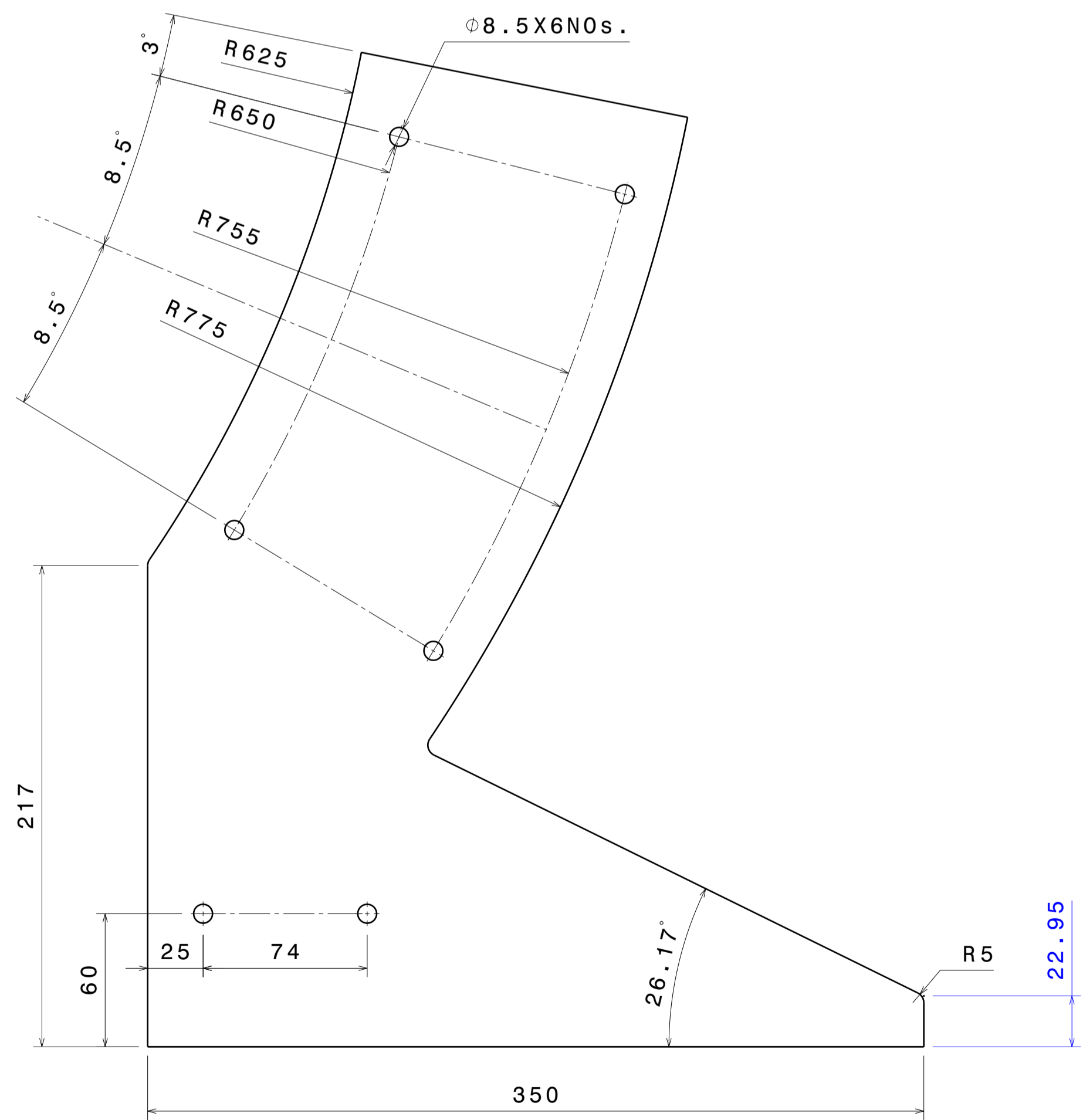
Front view
Scale: 1:2

Bottom view
Scale: 1:2

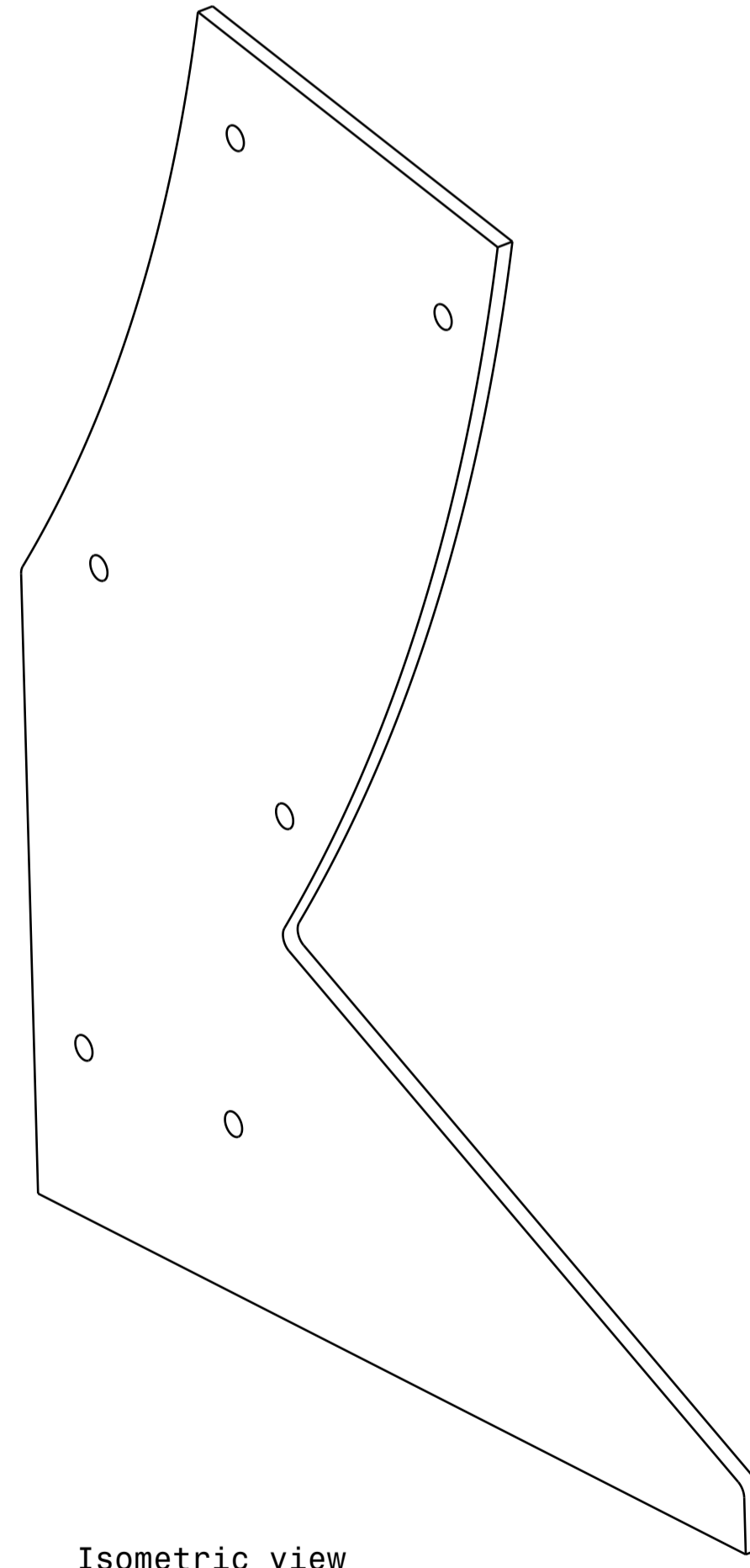
6



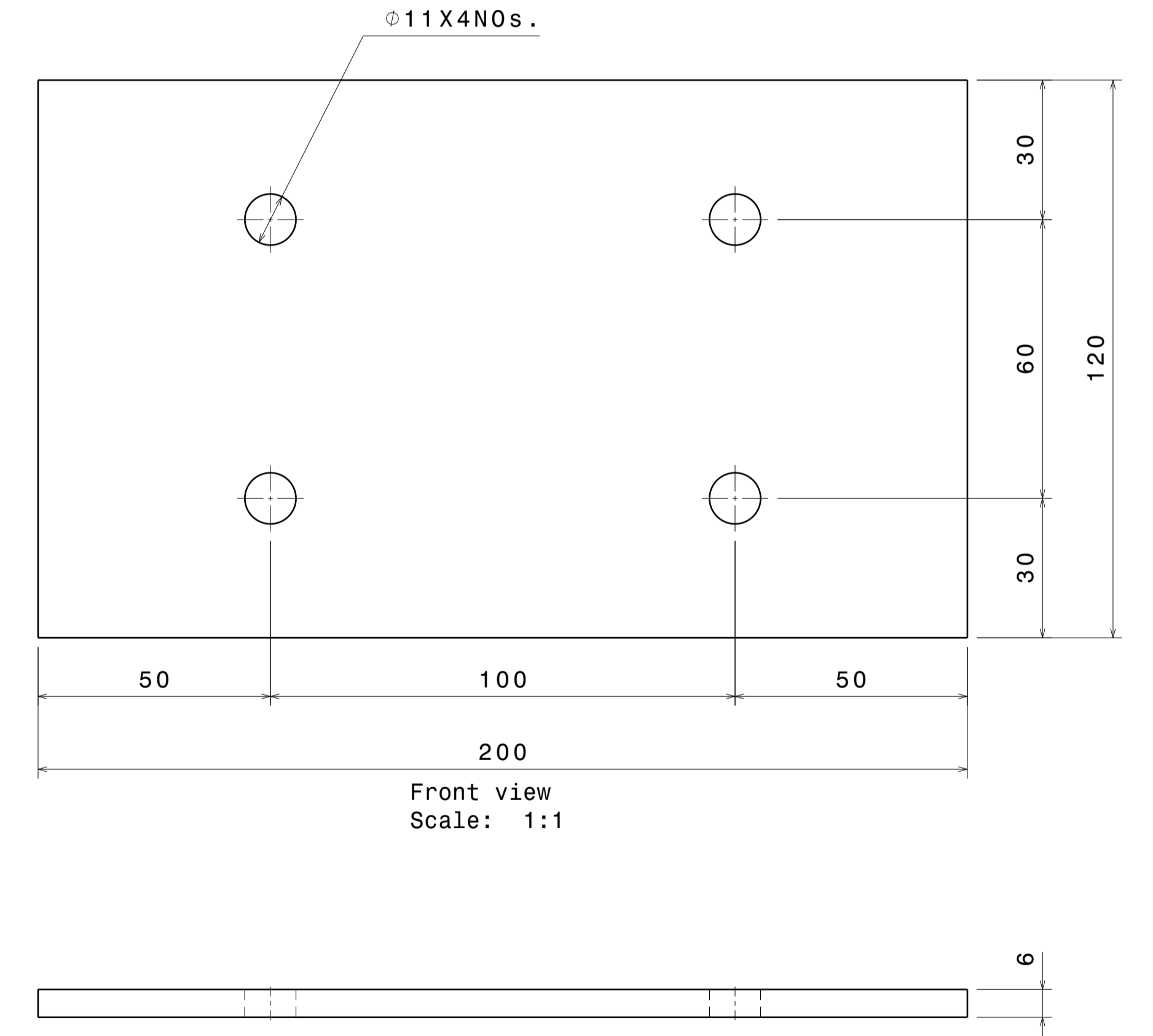
Top view
Scale: 1:2



Front view
Scale: 1:2



Isometric view
Scale: 1:2



Front view
Scale: 1:1

Bottom view
Scale: 1:1

8

7

DRG. NO	▽ 8-25	▽▽ 1.6-8	▽▽▽ 0.025-1.6	▽▽▽▽ < 0.025	REVISION COLUMN				ASS'Y GROUP:	SIZE	INSTITUTE FOR PLASMA RESEARCH					
CO-ORDINATED BY					REV	ZONE	DESCRIPTION	DATE	REMARKS	APPROVED BY	SCALE	DATE	TITLE	BHAT, GANDHINAGAR-382 428.		
MACHINING DEVIATIONS FOR NON-TOLERANCED DIMENSIONS														SCALE	DATE	TITLE
LENGTH IN mm OF SHORTER SIDE OF ANGLES														DRAWN	DATE	TITLE
UPTO 10	10-50	50-120	OVER 120-400	LENGTH OR DIA	UPTO 6	6-30	30-120	120-315			DESIGNED	J KUMAR	REF DRG NO: A1	REV RD		
+1'	+0'-30'	+0'-20'	+0'-10'		±0.1	±0.2	±0.3	±0.5			APPROVED	J KUMAR	DRG. NO	A1	SHEET 03 OF 03	

COLIMATER DETAILS

Fabrication of lead collimator along with its support structure as per attached specifications and drawings:

Compliance Sheet

Name of the vendor			
Offer number and date			
Sr.no	IPR requirements/specifications	Vendor specifications	Remark if any
1.	Fabrication of lead collimator along with its support structure as per attached specifications and drawings		
2.	Lead material purity: Purity-99.9 % or above		
3.	SS- Base plate Materials: SS304		
4.	Materials test report of the lead (Pb) and SS materials from govt. approved lab as mentioned in paragraph-4 in annexure-1		
5.	Quantity 1		

Note: To be completed by the bidder.



Form No: IPR-MFW-01.V1

INSTRUCTIONS TO BIDDERS AND TERMS AND CONDITIONS

1. The Quotation and any order resulting from this enquiry shall be governed by our Conditions of Work Order and Contractor quoting this enquiry shall be deemed to have read and understood the same completely.
 2. Where counter terms and conditions have been offered by the Tenderer, the same shall not be deemed to have been accepted by IPR unless our specific written acceptance thereof is obtained.
 3. **Quotation:** Quotation should be submitted in the prescribed QUOTATION FORMAT attached with this Enquiry and the same should be submitted in a sealed envelope super-scribing the same with our enquiry No., date, due date and brief description of item on or before the due date. Late/delayed/incomplete/unsigned quotations will not be considered. Envelopes received without Enquiry number, date, due date and brief description of item may be rejected. The quoted prices should be firm for a period of 90 days from due date for placing order. IPR is not bound to accept lowest rate/s. IPR reserves the right to place on one or more parties. The scope of supply includes insurance by the Contractor.
 4. **Specifications:** Goods should be offered strictly conforming to our specifications/drawings. Deviation, if any, should be clearly indicated by the contractor in their quotation. The Tenderer should also indicate the Make/Type number of the goods offered and catalogues, technical literature and samples, wherever necessary should accompany the quotation. Clarification/s on drawings should be obtained before submitting quotation.
 5. **Terms of Prices:** Quotation should be submitted on door delivery basis without extra charge wherever possible. For quotations on Ex-Works, Ex-godown basis the approximate packing and forwarding charges should be indicated by the contractor. In the case of local contractors, the goods are to be delivered at our stores free of charge.
 - 5.1 In respect of tenders on Ex-works basis, in case the tenderer has not mentioned in the offer packing, forwarding and transportation charges for safe delivery up to Purchaser's site, 2% of the price quoted towards packing (in respect of both local and outstation firms), 1% of the basic price quoted towards safe delivery charges in respect of local tenderer and 3% of the basic price quoted towards safe delivery charges in respect of outstation firm will be added for comparison of offers on safe door delivery at Purchaser's site.
 - 5.2 Prices are required to be quoted according to the units indicated in the tender form/Enquiry. When Quotations are given in terms of units other than those specified in the tender form, relationship between the two sets of units must be furnished
 6. Tender should be free from Correction and Erasures. Corrections, if any, must be attested. All amounts shall be indicated both in words as well as in figures. Where there is difference between amounts quoted in words and figures, amount quoted in words shall prevail. Unsigned quotations will summarily be rejected. If there is a discrepancy between the unit price and total price, unit price shall prevail.
 7. IPR shall be under no obligation to accept the lowest or any tender and reserves the right of acceptance of the whole or any part of the tender or portion of the quantity offered and the tenderers shall supply the same at the rate quoted.
 8. **Goods & Services Tax (GST):** The details of Taxes/GST and other levies legally applicable and intended to be claimed should be clearly indicated in the tender. Where this is not done, no claim on these accounts would be admissible later.
 - a) **GST for Goods (IGST/CGST/SGST TAX BENEFITS):**

IPR is entitled to avail tax benefit as per the following notifications issued by Ministry of Finance, Department of Revenue, Government of India:
(1) No: 47/2017-INTEGRATED TAX (RATE) DATED 14/11/17 for IGST
(2) No: 45/2017-CENTRAL TAX (RATE) DATED 14/11/17 for CGST
And,
IPR is entitled to avail tax benefit as per the following notifications issued by Finance Department, Government of Gujarat:
(1) No. 45/2017-STATE TAX (RATE) DATED 15/11/17 for SGST
As per above notifications IPR will bear only 5% IGST for procurement of goods from outside Gujarat & 2.5% CGST and 2.5% SGST (total 5%) for procurement of goods within Gujarat. Vendors are required to charge tax as per these notifications while quoting/supplying the goods. Deviations, (if any) should be clearly mentioned in the quotation/offer.
- Please specify the HSN codes while quoting.**
- b) **GST for Services:**

As applicable. **Specify the SAC codes wherever services are involved.**
9. **Delivery Date:** Delivery period is essence of the Contract. Contractor must indicate the firm delivery date by which the goods will be dispatched or delivered by them from the date of our order. Delivery period shall be clearly indicated against each item separately.
10. **Price/ Purchase Preference:** Purchase/Price preference to industries will be given as per the policy of the Government of India in force at the time of evaluation provided their offer is in compliance with the conditions of the policy.



11. **Liquidated Damages:** The successful Vendor/Bidder should pay liquidated damages @ ½% (half percent) of the total work order value for the delay of each week in the scheduled date of completion of the work envisaged in the Work Order subject to a maximum of 5% (Five percent) of the total Work Order value.
12. **Inspection:** Goods on its arrival at IPR will be inspected by Stores, and his decision in the matter will be final. However, where the items are required to be inspected at the Contractors Premises, Contractor has to give advance notice regarding readiness of the Goods to enable us to depute our representative for inspection.
13. **Payment:** Payment will be arranged for accepted goods only within 30 days from the date of receipt of goods at IPR and bills in our accounts section, completed in all respects.
14. No correspondence will be entertained within 30 days from the date of receipt of good and bills, whichever is later.
15. **Guarantee:** The Stores offered should be guaranteed for a minimum period of twelve months, from that date of acceptance, against defective Goods, design, workmanship, operation or manufacture. For defects noticed and communicated during the Guarantee period, replacement/rectification should be arranged free of cost within a reasonable period of such notifications. In case where our specifications call for a guarantee period more than 12 months specifically, then such a period shall apply.
16. **Performance Bank Guarantee:** If demanded by IPR, the successful bidder will have to furnish Performance Bank Guarantee for 10% of the order value (basic price) from a Nationalized/Scheduled Bank/State Bank of India, valid throughout the Guarantee/Warranty period. The scheduled banks approved by IPR are Axis Bank, HDFC Bank, ICICI Bank and IDBI Bank. Bank Guarantees submitted other than from banks approved by IPR will not be accepted.
17. **Security Deposit:** If demanded the successful Bidder will have to furnish to the Purchaser an interest free security deposit for 10% (Ten percent) of the order value in the form of Bank Guarantee of an equivalent amount from a nationalized/ scheduled Bank/State Bank of India within 15 days from the date of work order and the said Guarantee should be valid till the goods are accepted by IPR. The scheduled banks approved by IPR are Axis Bank, HDFC Bank, ICICI Bank and IDBI Bank. Bank Guarantees submitted other than from banks approved by IPR will not be accepted. The Security deposit shall be forfeited in case the selected Bidder does not start the work within the time limit specified or fail to complete the work within the stipulated delivery period or fail to comply with any of the terms and conditions in the work order. On successful completion of scope of work and its acceptance by IPR, Contractor should send a letter requesting return of the original BG.
18. The Contractor shall at all times indemnify the purchase against all claims which may be made in respect of the stores for infringement of any right protected by Patent Registration of design or Trade Mark and shall take all risk of accidents or damage, which may cause failure of supply from whatever cause arising and the entire responsibility for sufficiency of all means used by him for the fulfilment of the contract.
19. **Free Issue Material (FIM):** Successful tenderer will have to arrange insurance showing beneficiary as “Institute for Plasma Research” at their risk and cost towards adequate security for the materials/property provided/issued by the Purchaser as Free Issue Material for the due execution of the contract.
20. The Director, IPR reserves the right to accept or reject any quotations fully or partly or to cancel the enquiry without assigning any reason.
21. **Jurisdiction:** The contract shall be governed by the Laws of India for the time being in force. The Courts of Gandhinagar only shall have jurisdiction to deal with and decide any legal or dispute arising out of this Contract.

(This need to be printed in Bidders letter head)

1. Please quote with complete technical details along with technical compliance sheet.
2. Quotation should be submitted in the format given below, else IPR shall not consider the offer by the vendor.

NAME OF PARTY : _____

ENQUIRY NO: _____

QUOTATION No. & DATE : _____

Currency of Quotation: **Indian Rupees**

Sr. No.	Item Description	HSN/SAC Code	Quantity	Unit Rate (Basic)	Packaging & forwarding (P&F)	Applicable GST	Rate (incl P&F and GST)	Total Value
			a	b	c	d	e = b + c + d	f = a * e
1								
2								
3								
4								
5								
6								

Sr. No.	Particular	Remarks
I.	Ex-works / FOR Destination	
II.	Freight	
III.	Insurance	
IV.	Delivery Period	
V.	Payment (IPR terms will apply)	
VI.	Guarantee / Warrantee	
VII.	Validity Period	
VIII.	Discount (if any)	
IX.	Remarks	

Place: Authority Signatory

Date: Company Seal

Note:

1. Bidder should submit the copy of GSTIN / ARN Certificate along with the offer
2. Bidder should specify the SUPPLY and SERVICE rates/ charges separately wherever applicable