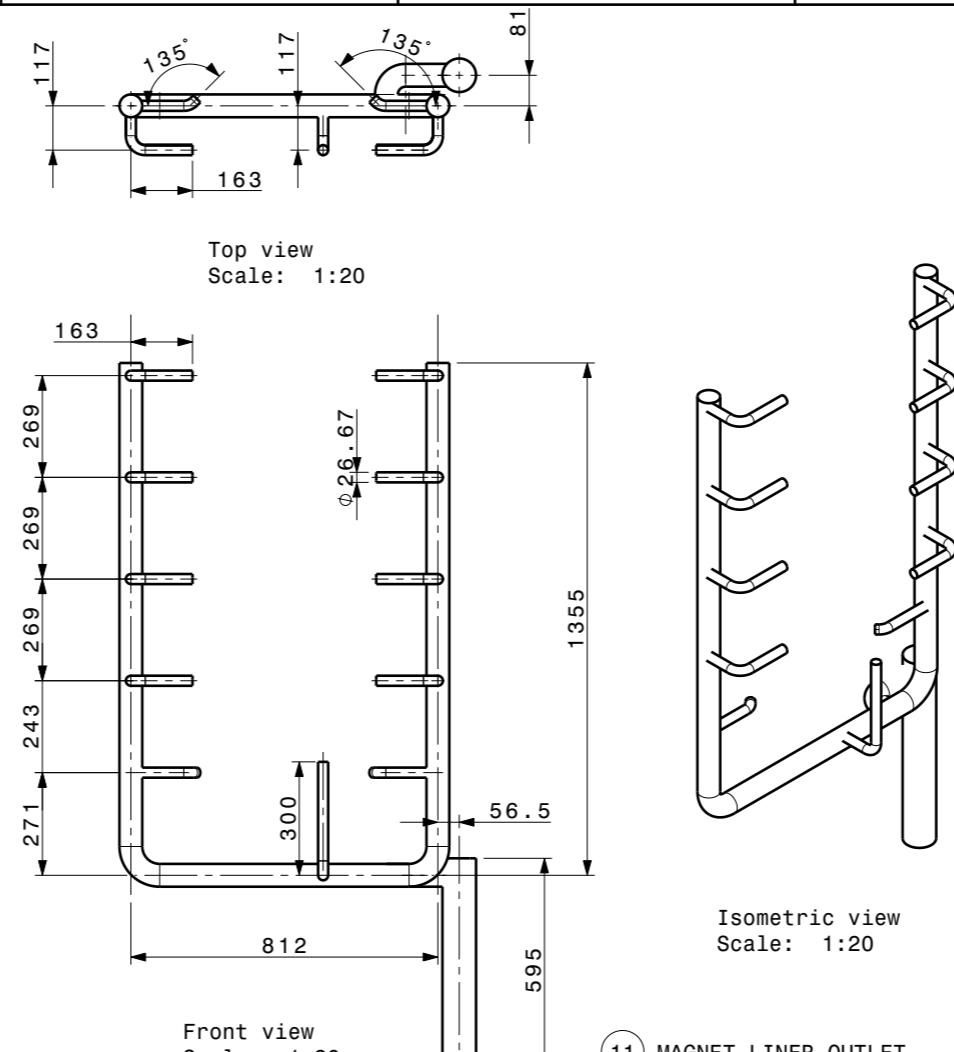
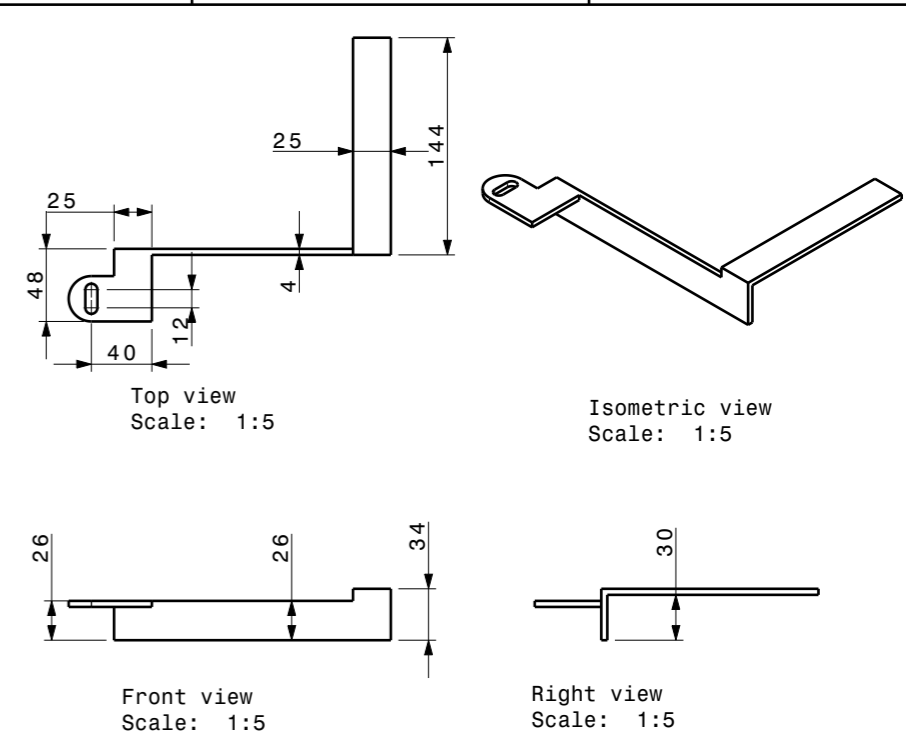


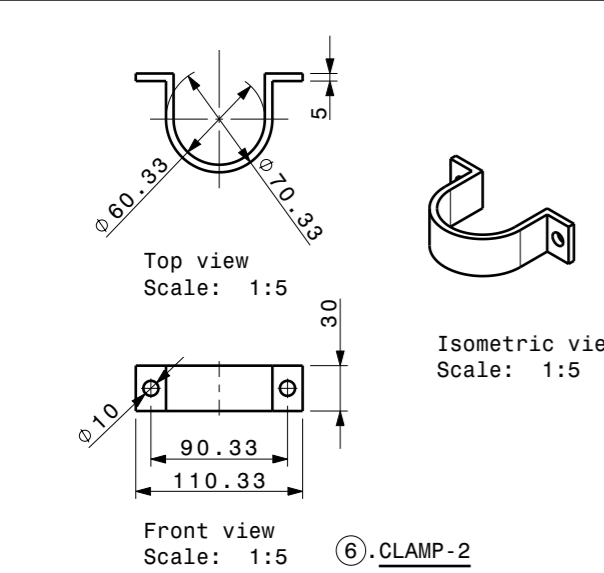
⑩ .MAGNET LINER INLET



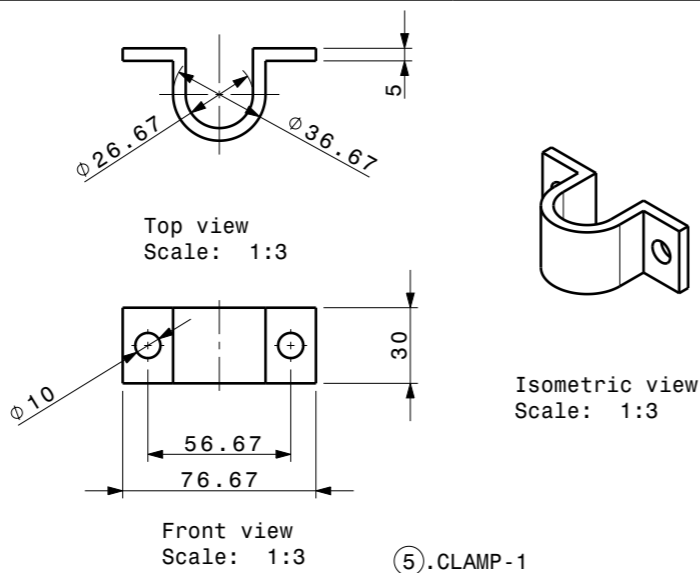
⑪ .MAGNET LINER OUTLET



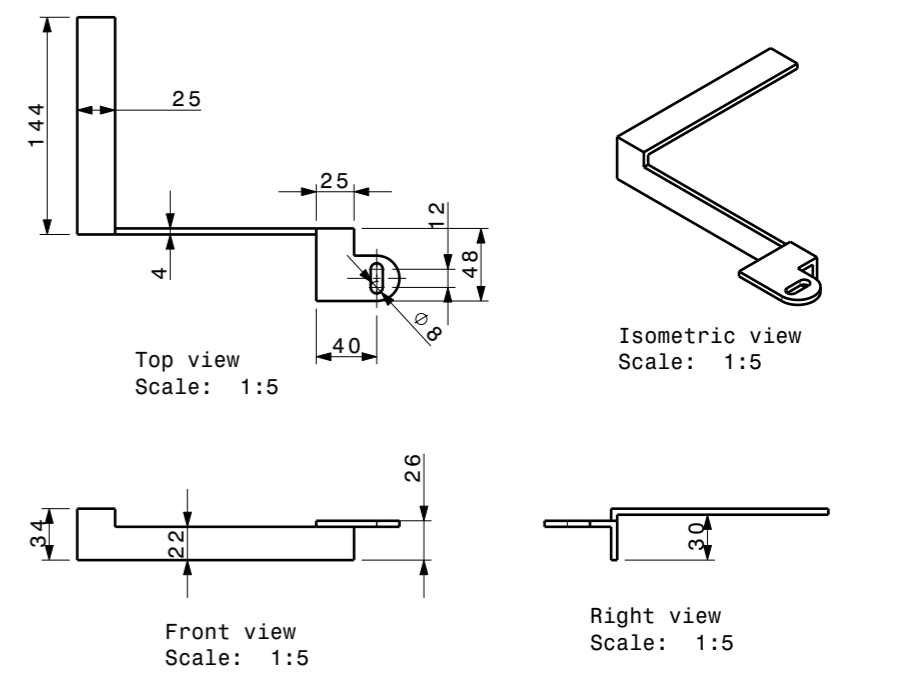
① .TOP DUAL HTE SUPPORT-1



⑥ .CLAMP-2



⑤ .CLAMP-1



② .TOP DUAL HTE SUPPORT-2

DRG.NO	▽ 8-25	▽ 1.6-8	▽ 0.025-1.6	▽ < 0.025
--------	--------	---------	-------------	-----------

MACHINING DEVIATIONS FOR NON-TOLERANCED DIMENSIONS					REVISION COLUMN									
LENGTH IN mm OF SHORTER SIDE OF ANGLES				LENGTH OR DIA	UPTO 6	6-30	30-120	120-315	REV	ZONE	DESCRIPTION	DATE	REMARKS	APPROVED BY
UPTO 10	10-50	50-120	OVER 120-400		+0.1	+0.2	+0.3	+0.5						
+1'	+0'-30'	+0'-20'	+0'-10'											

NBI GROUP:		SIZE A3	INSTITUTE FOR PLASMA RESEARCH BHAT, GANDHINAGAR-382 428.				
ALL DIMENSIONS ARE IN 'mm' UNLESS OTHERWISE STATED			SCALE	NTS	DATE	 THIRD ANGLE PROJECTION	TITLE
DRAWN	A.R.K.		MAGNET DETAILS				
CHECKED			REF DRG NO:	REV 00			
APPROVED			DRG.NO	2.04.02.030	SHEET 02 OF 03		