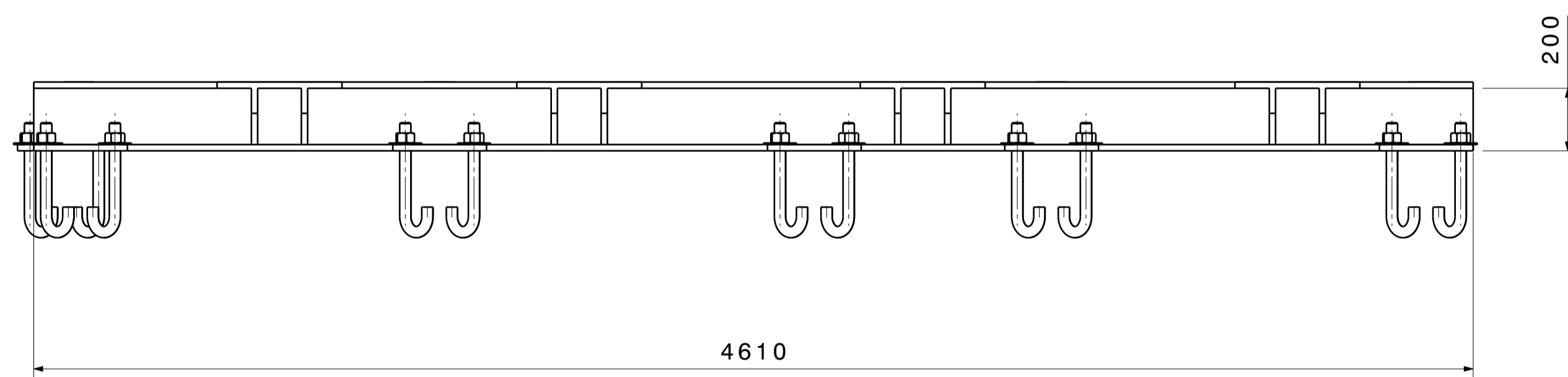
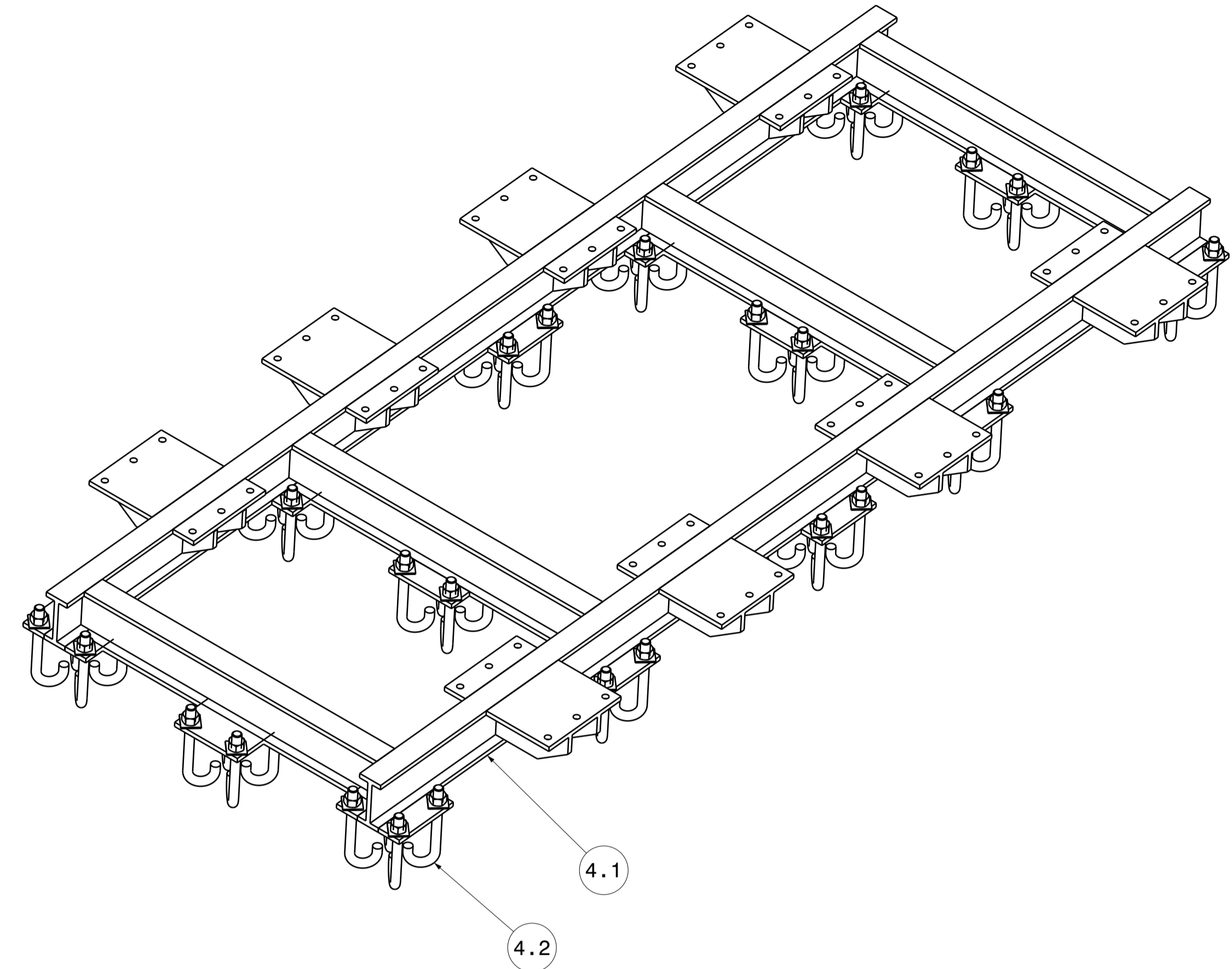


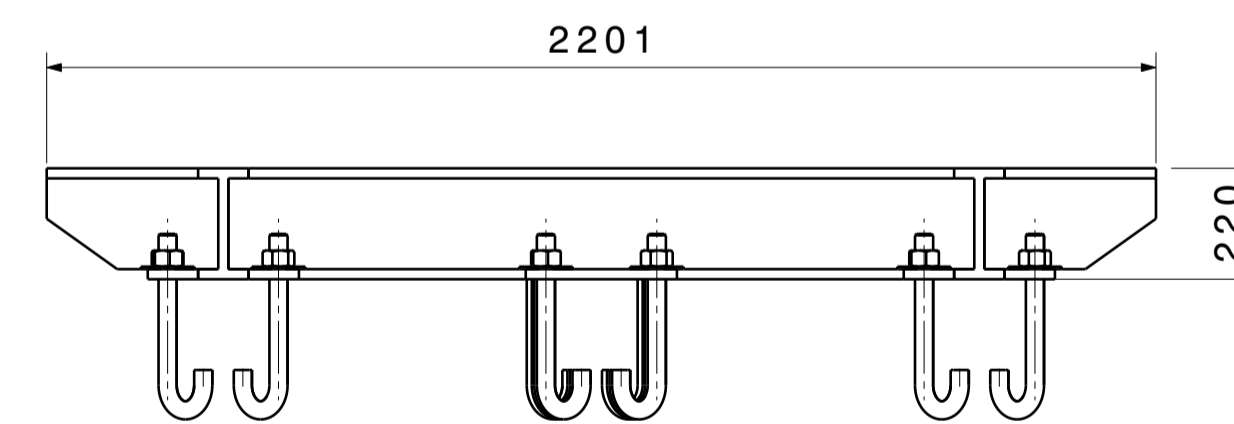
Top view
Scale: 1:15



Front view
Scale: 1:15



Isometric view
Scale: 1:15



Right view
Scale: 1:15

PART NO.	DESCRIPTION (BOTTOM STRUCTURE)	MATERIAL	QTY.	REMARKS
4.1	CHANNEL FRAME	SS 304	8	
4.2	FOUNDATION BOLT WITH NUT	IS 2062 GR. A/B OR BN GR. BETTER STRENGTH MATERIAL	64 SETS	M35

DRG. NO	▽ 8-25	▽▽ 1.6-8	▽▽▽ 0.025-1.6	▽▽▽▽ < 0.025	REVISION COLUMN				NBI GROUP:	SIZE	INSTITUTE FOR PLASMA RESEARCH	
CO-ORDINATED BY					REV	ZONE	DESCRIPTION	DATE	REMARKS	APPROVED BY	A3	BHAT, GANDHINAGAR-382 428.
MACHINING DEVIATIONS FOR NON-TOLERANCED DIMENSIONS												
LENGTH IN mm OF SHORTER SIDE OF ANGLES				LENGTH OR DIA	UPTO 6	6-30	30-120	120-315			SCALE	DATE
UPTO 10	10-50	50-120	OVER 120-400		±0.1	±0.2	±0.3	±0.5	DRAWN	ARK	REF DRG NO: -	REV RD
+1'	+0'-30'	+0'-20'	+0'-10'						DESIGNED	SRB	DRG. NO	2.04.02.033
										APPROVED	VP	SHEET 04 OF 04