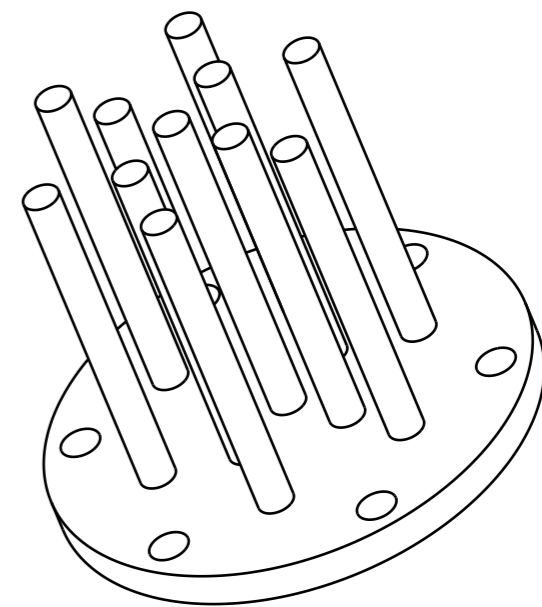
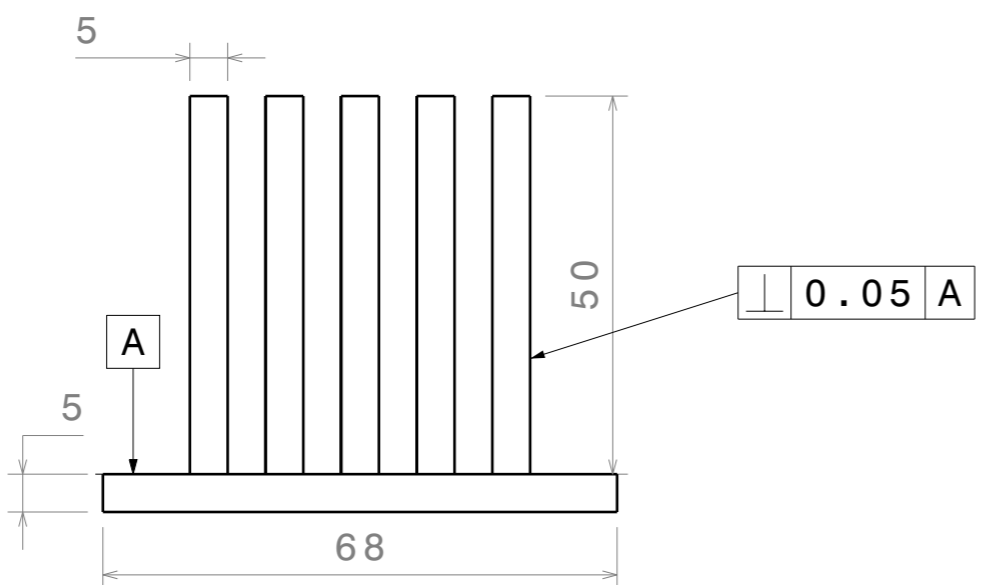
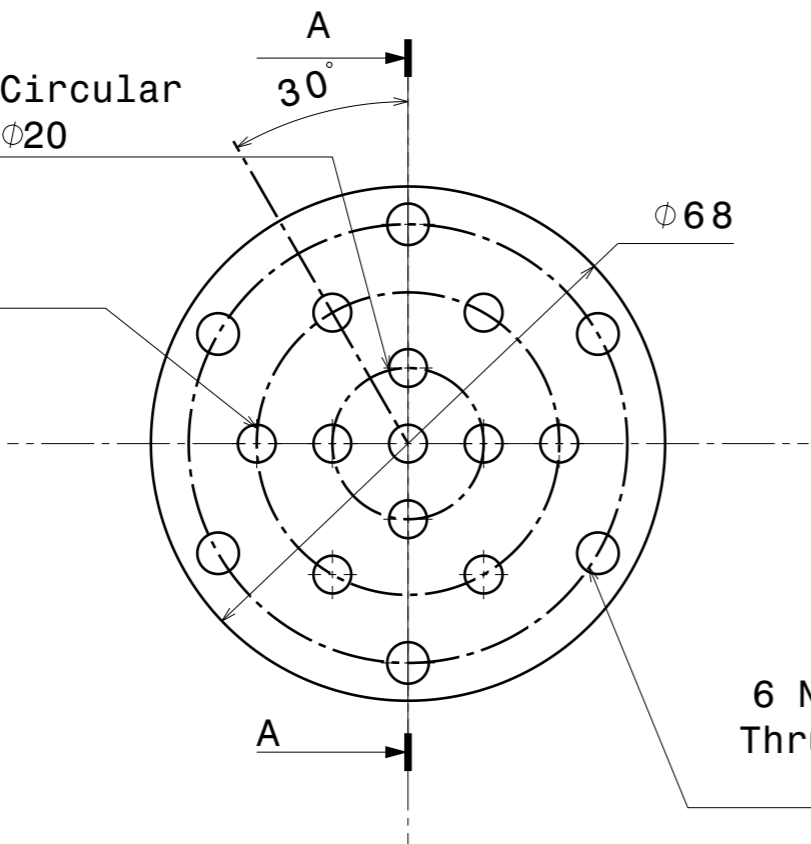


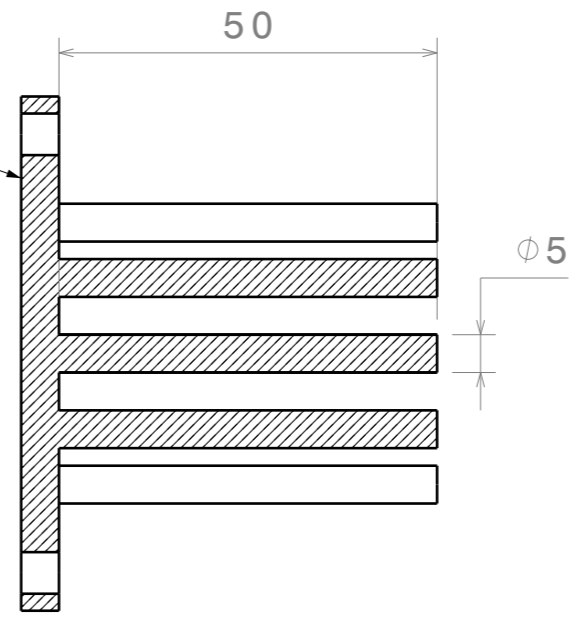
H G F E D C B A



4 NOS OF $\phi 5$ Circular Fins At PCD $\phi 20$
 6 NOS. $\phi 5$ Circular Fins At PCD $\phi 40$



\square 0.005



6 NOS of $\phi 5.5$ Thru holes at PCD $\phi 58$

MATERIAL	OFHC COPPER
QUANTITY	1

This drawing is our property. It can't be reproduced or communicated without our written agreement.

INSITITUTE FOR PLASMA RESEARCH BHAT, GANDHINAGAR

DRAWN BY KRISHANPAL	DATE 10/10/2016
CHECKED BY SAMIRAN	DATE 10/10/2016
DESIGNED BY DEVESH	DATE XXX

DRAWING TITLE			
CONDENSOR			
SIZE A3	DRAWING NUMBER HLIQUIIFIER-002		REV 0
SCALE 1:1	WEIGHT (kg) XXX	SHEET 2/3	

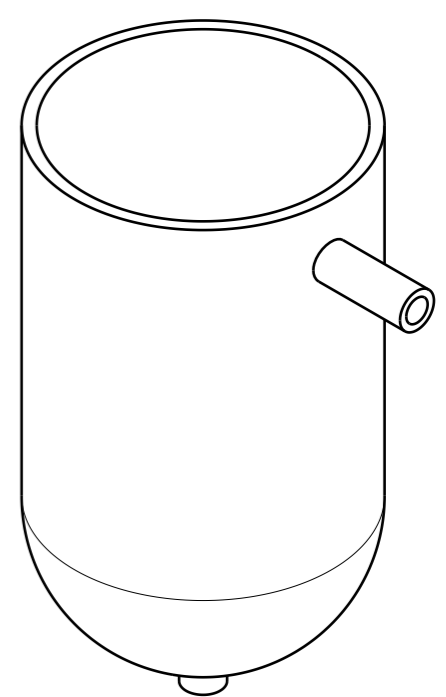
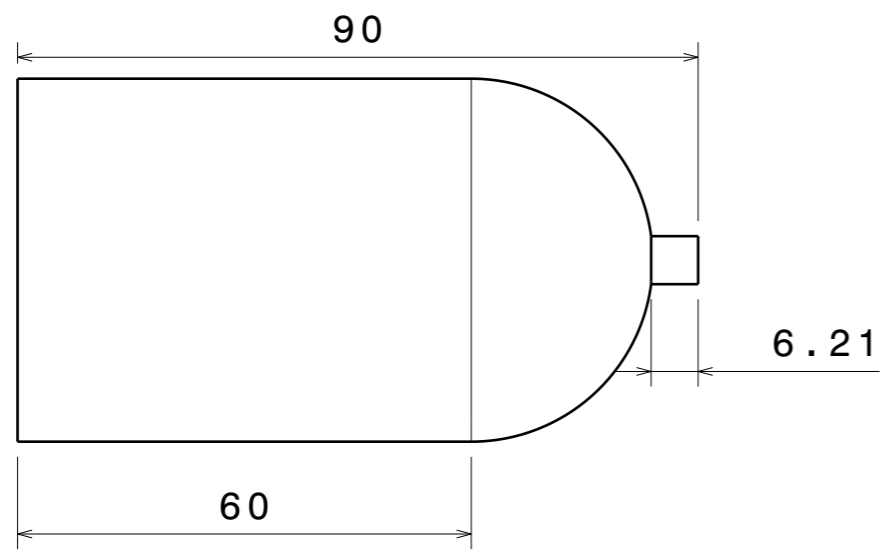
All dimenssions are in mm
 Remove all sharp edges
 Specified Tolerances sgould be followed

Ra Value Micrometer	Roughness Grade Number
0.8	N6
0.4	N5
0.2	N4

H G F E D C B A

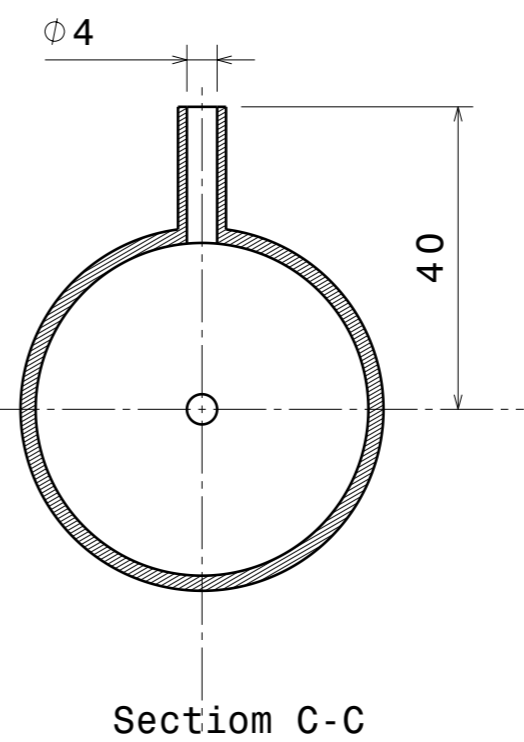
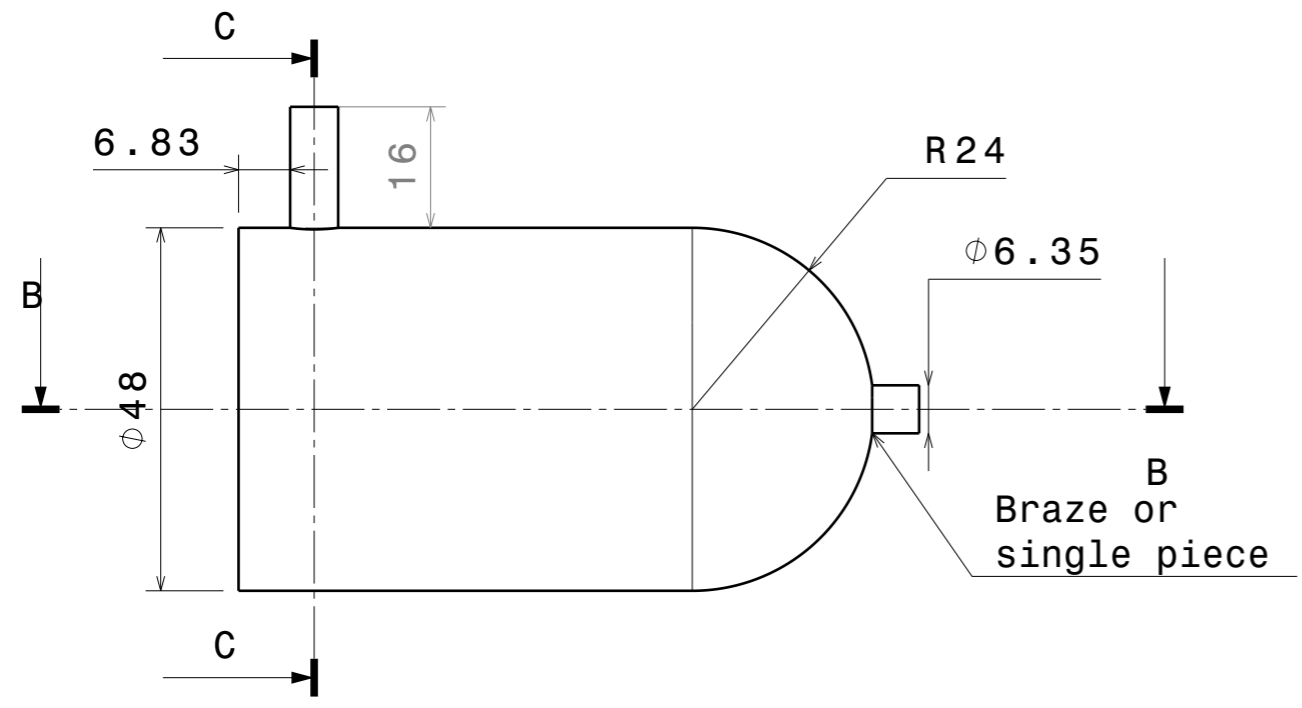
H G F E D C B A

4



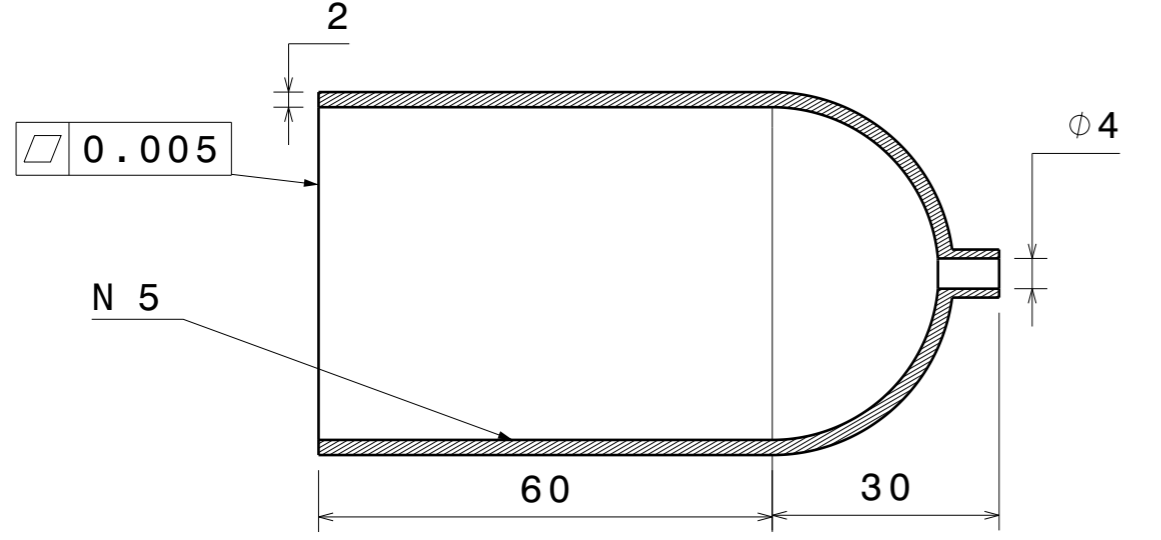
4

3



3

2



2

1

All dimensssions are in mm		MATERIAL Φ FHC Copper	
Remove all sharp edges		QUANTITY	1
Specified Tolerances sould be followed		DRAWING TITLE	
This drawing is our property. It can't be reproduced or communicated without our written agreement.		INSITITUTE FOR PLASMA RESEARCH BHAT, GANDHINAGAR	
DRAWN BY	DATE	CONDENSOR VESSEL	
KRISHANPAL	10/10/2016	SIZE	DRAWING NUMBER
CHECKED BY	DATE	A3	HLIQUIIFIER-001
SAMIRAN	10/10/2016	SCALE	1:1
DESIGNED BY	DATE	WEIGHT (kg)	XXX
DEVESH	XXX	SHEET	1/3
REV	0		

Ra Value Micrometer	Roughness Grade Number
0.8	N6
0.4	N5
0.2	N4

Section B-B

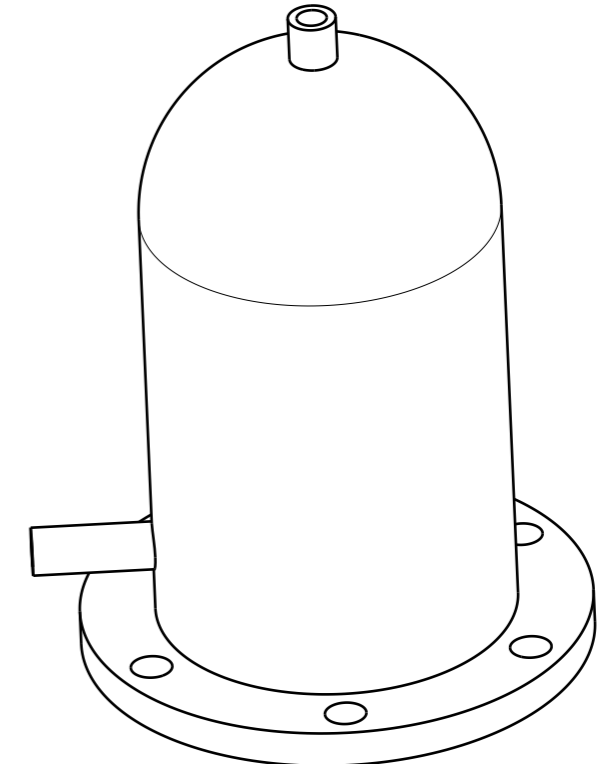
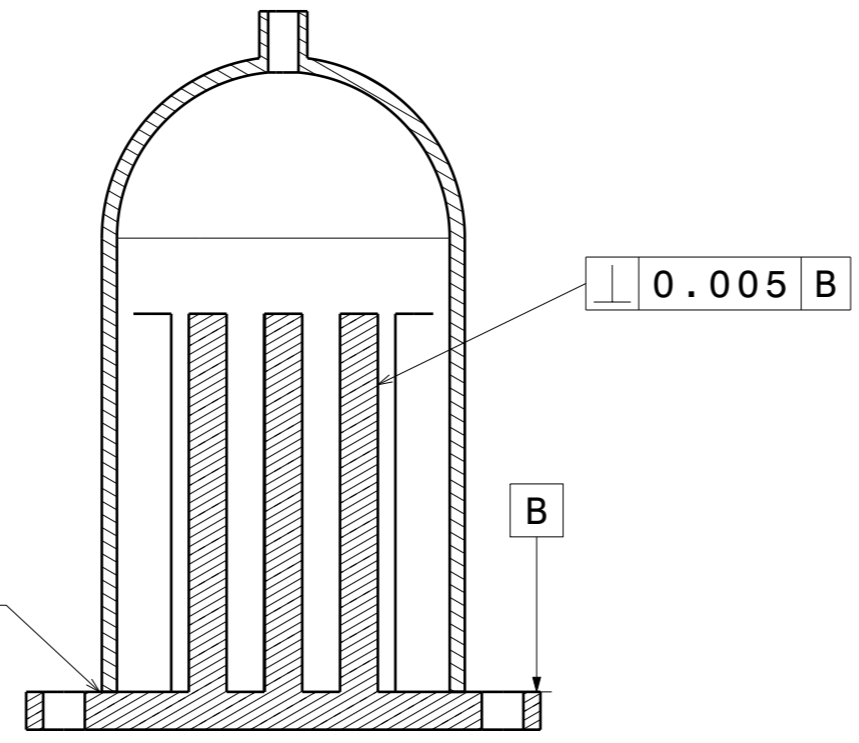
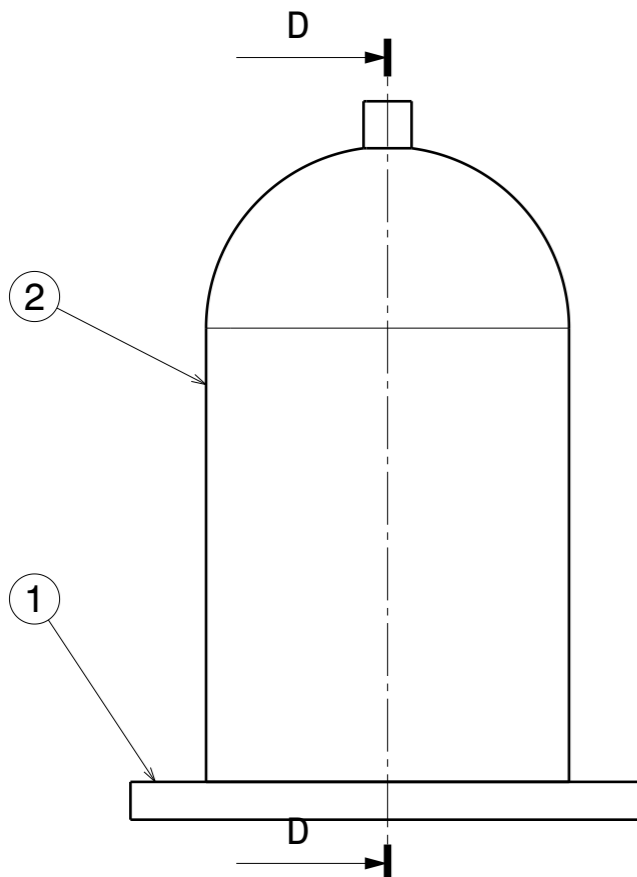
Section C-C

H G F E D C B A

H G F E D C B A

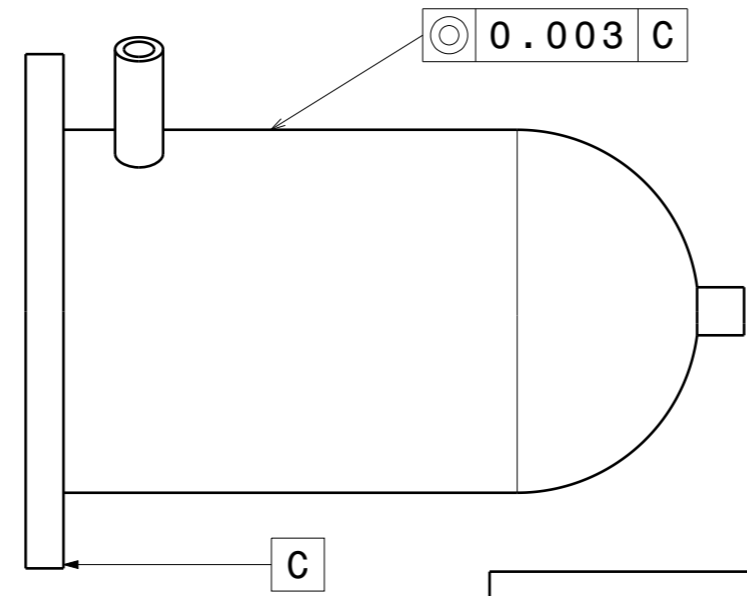
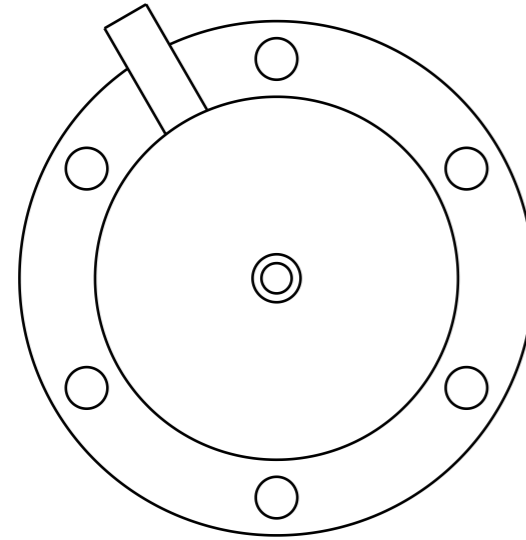
4

4



3

3



Component No.	Component Name	Drawing No,	Material
1	Condensor Hliquifier	-002	OFHC Copper
2	Condensor Vessel	Hliquifier -001	OFHC Copper

2

2

1

1

All dimenssions are in mm
 Each components of the assembly should be compatible with each other
 Specified Tolerances sould be followed

This drawing is our property. It can't be reproduced or communicated without our written agreement.

INSITITUTE FOR PLASMA RESEARCH BHAT, GANDHINAGAR

DRAWN BY **KRISHANPAL** DATE 10/10/2016
 CHECKED BY **SAMIRAN** DATE 10/10/2016
 DESIGNED BY **DEVESH** DATE XXX

DRAWING TITLE			
HYDROGENE LIQUIFIER ASSEMBLY			
SIZE	DRAWING NUMBER	REV	
A3	HLIQUIFIER-003	0	
SCALE	1:1	WEIGHT (kg)	XXX
SHEET	3/3		

H G B A