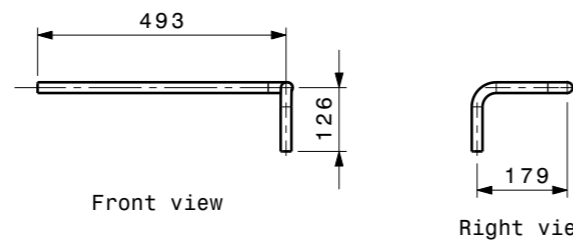
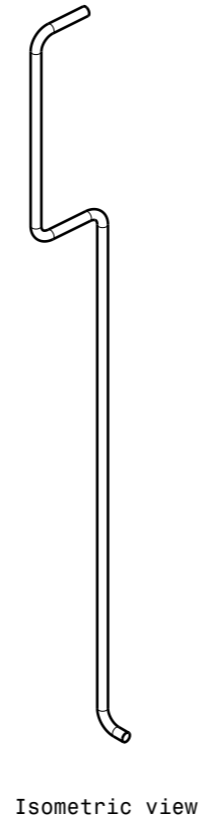


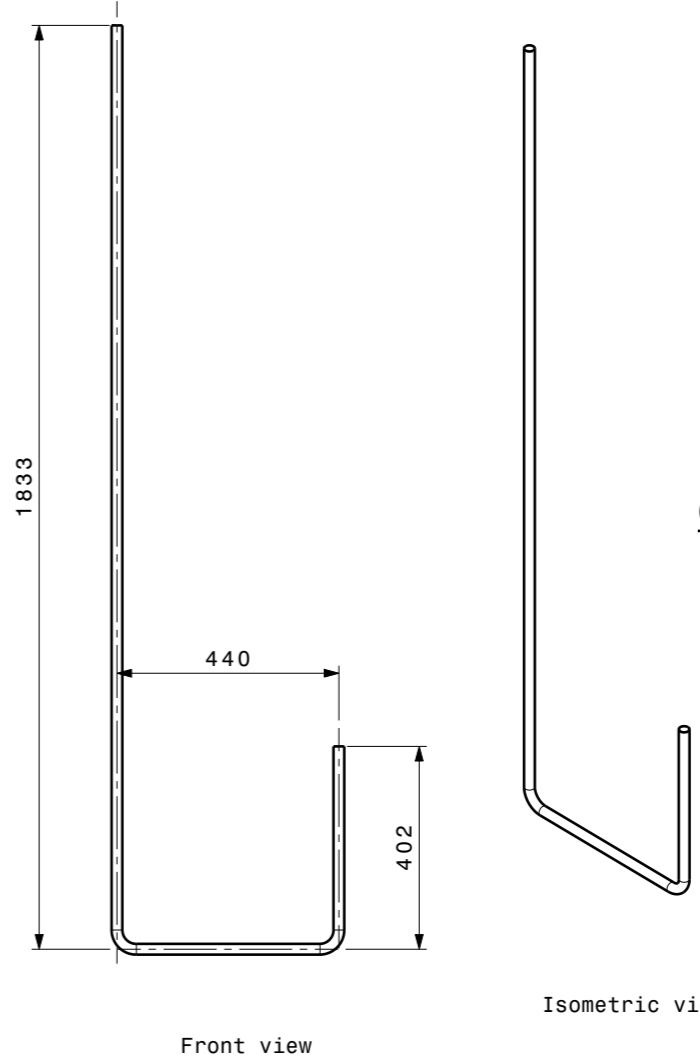
C3: NITROGEN SUPPLY BRANCH



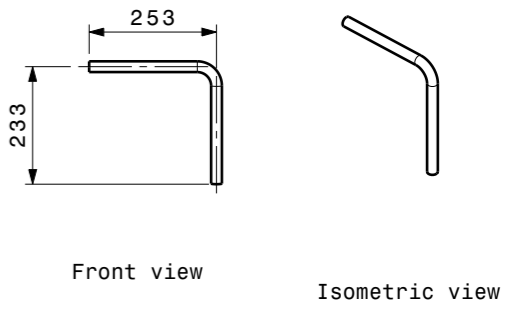
C4: NITROGEN RETURN BRANCH



Isometric view



C1: HELIUM SUPPLY BRANCH



C2: HELIUM RETURN BRANCH

- 5 PIPE SIZE FOR THE BRANCH LINE: NB 1/2" SCH. 10S (MATEREIAL: SS304L)
- 4 ALL BRANCH PIPES, BENDS AND BRAIDED HOSES GIVEN AS FREE ISSUE MATERIAL
- 3 THE DRAWINGS SHOWN IN THIS SHEET, ARE FOR THE SAKE OF UNDERSTANDING
- 2 THE SCOPE OF SUPPLY FROM THE VENDOR IS AS LISTED IN THE BOM IF MENTIONED
- 1 METALIC BRAIDED HOSES MAY BE USED AS PER REQUIREMENT IN THE BRANCH LINE.

Sr. No. **NOTE**

DRG.NO	▽ 8-25	▽▽ 1.6-8	▽▽▽ 0.025-1.6	▽▽▽▽ < 0.025
CO-ORDINATED BY				
MACHINING DEVIATIONS FOR NON-TOLERANCED DIMENSIONS				
LENGTH IN mm OF SHORTER SIDE OF ANGLES				LENGTH OR DIA
UPTO 10	10-50	50-120	OVER 120-400	
+1'	+0'-30'	+0'-20'	+0'-10'	

REVISION COLUMN					
REV	ZONE	DESCRIPTION	DATE	REMARKS	APPROVED BY

NBI GROUP:	SIZE A3		INSTITUTE FOR PLASMA RESEARCH BHAT, GANDHINAGAR-382 428.
ALL DIMENSIONS ARE IN 'mm' UNLESS OTHERWISE STATED			TITLE CRYOPUMP-3 CASSETE (L.H. / R.H.)DETAIL
SCALE	NTS	DATE	REF DRG NO:
DRAWN	A.R.K.		
CHECKED			
APPROVED			REV 00
DRG.NO	2.04.02.028		SHEET 4 OF 5