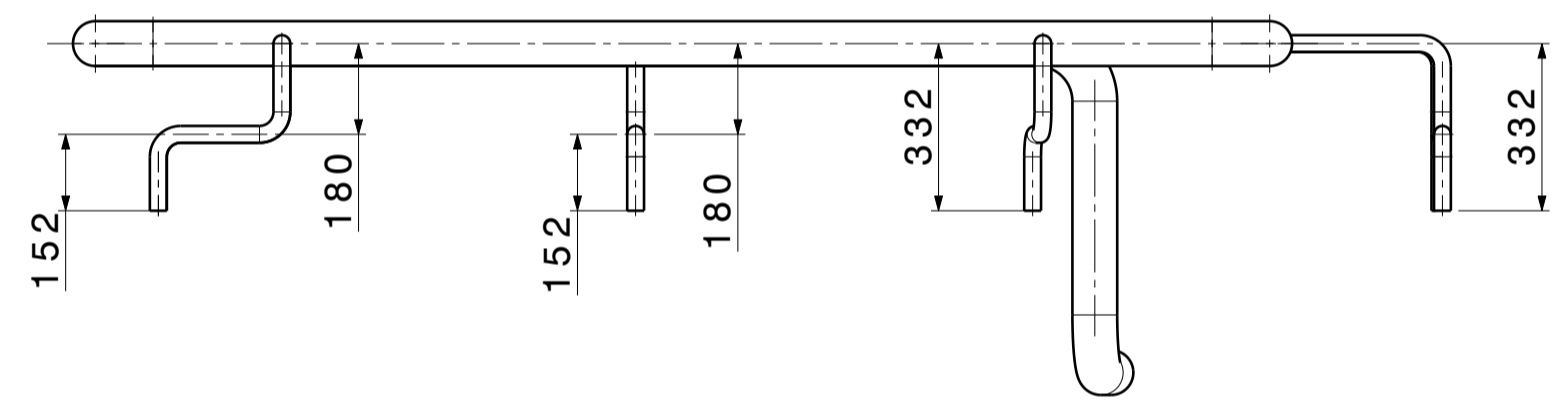
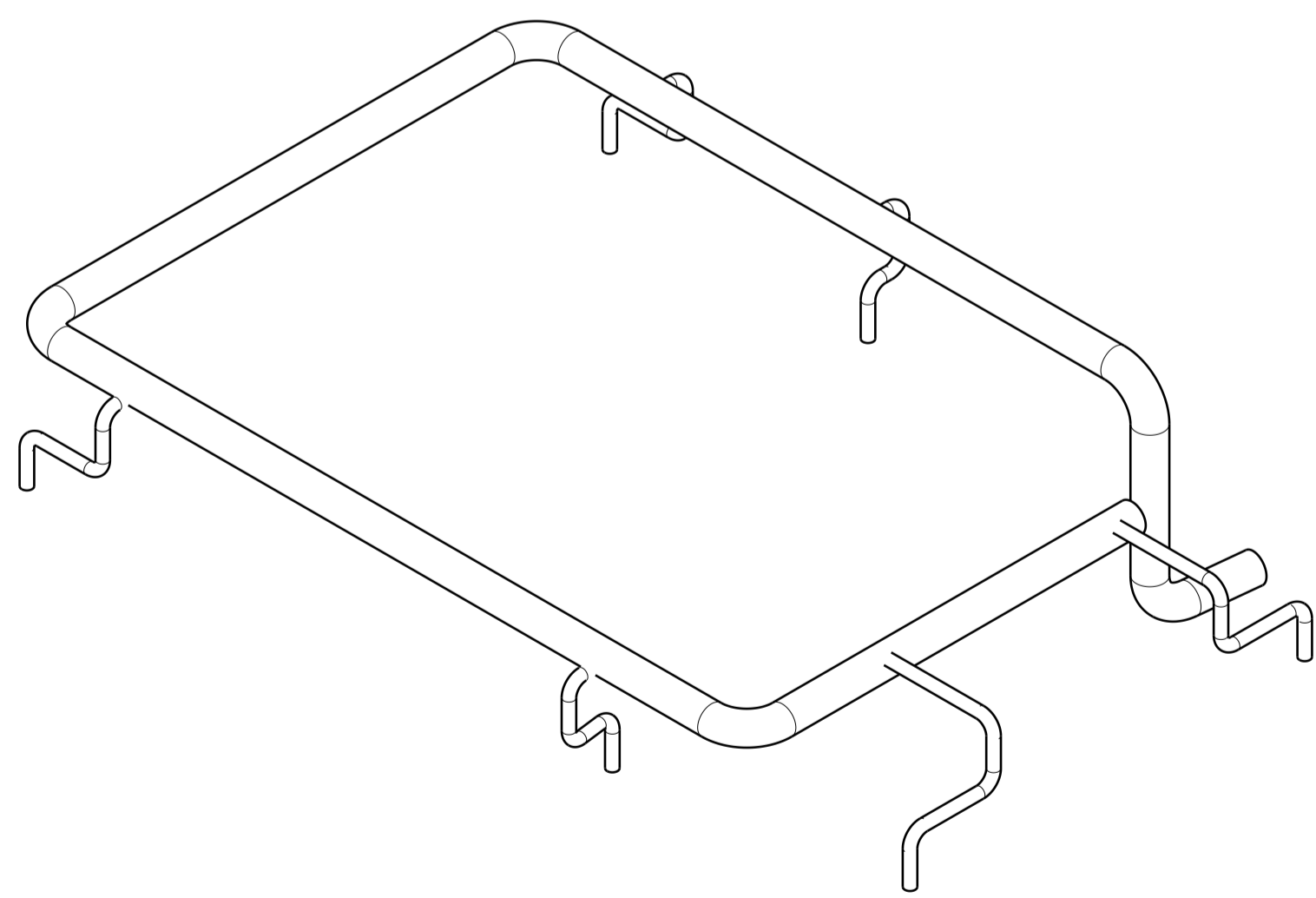


TOP VIEW

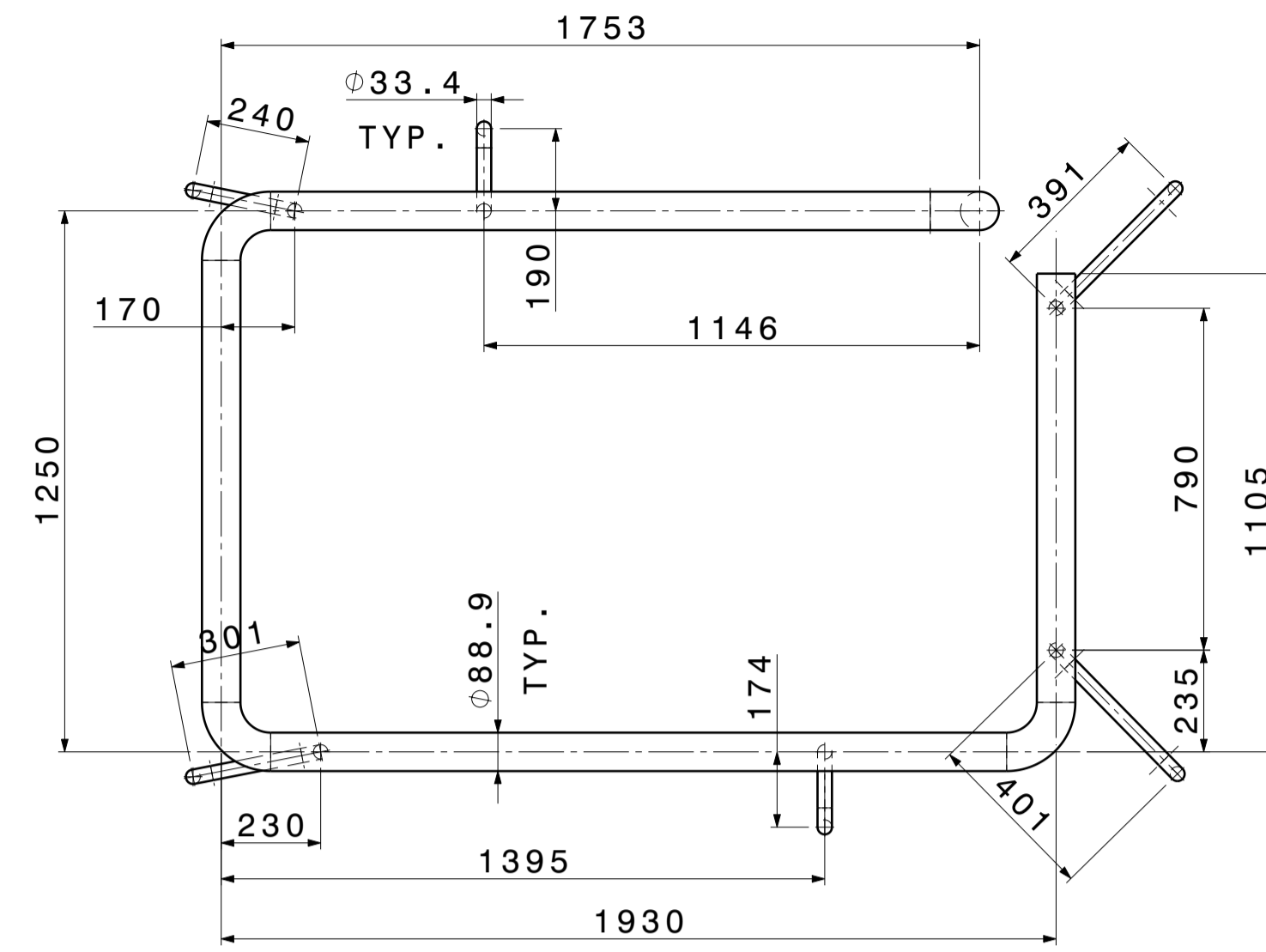


FRONT VIEW

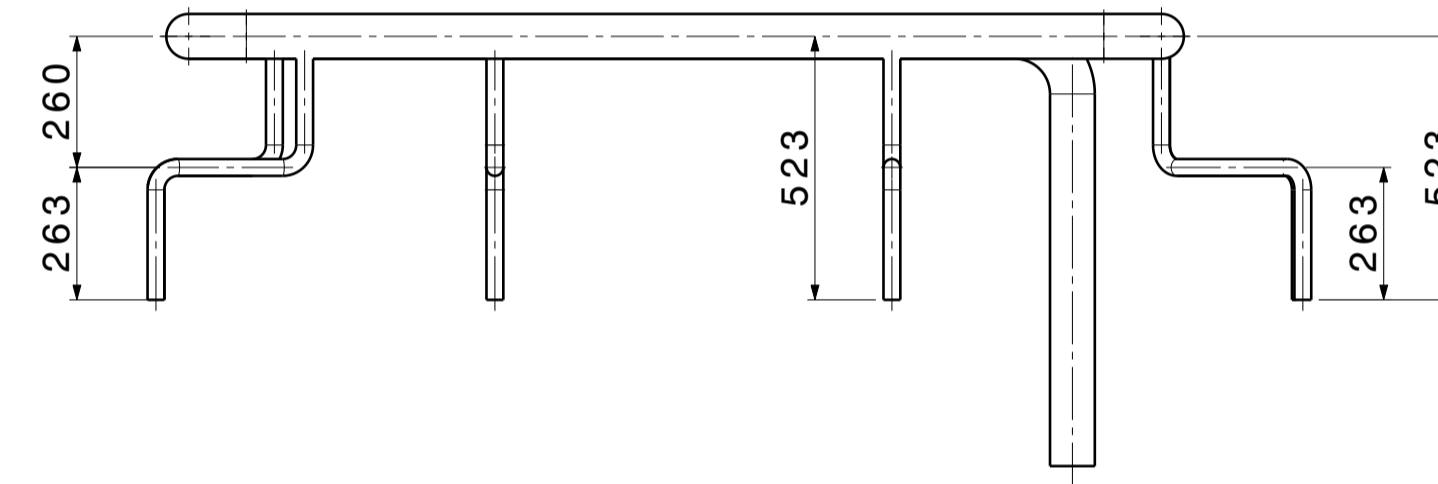


ISOMETRIC VIEW

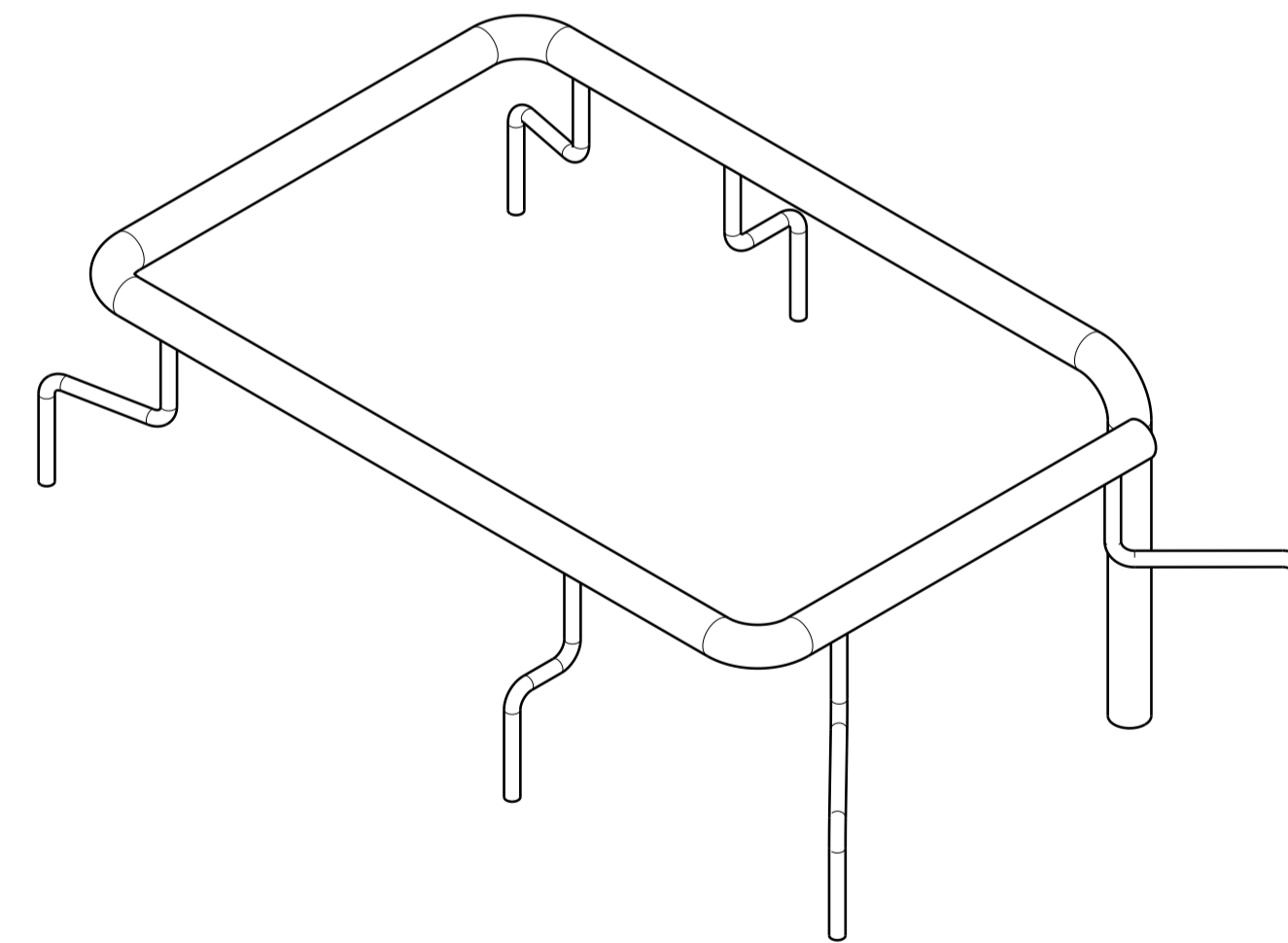
NITROGEN RETURN HEADER



TOP VIEW



FRONT VIEW



ISOMETRIC VIEW

HELIUM RETURN HEADER

DRG. NO	▽ 8-25	▽▽ 1.6-8	▽▽▽ 0.025-1.6	▽▽▽▽ < 0.025	REVISION COLUMN				NBI GROUP:	SIZE	INSTITUTE FOR PLASMA RESEARCH				
CO-ORDINATED BY					REV	ZONE	DESCRIPTION	DATE	REMARKS	APPROVED BY	SCALE	DATE	BHAT, GANDHINAGAR-382 428.		
MACHINING DEVIATIONS FOR NON-TOLERANCED DIMENSIONS											TITLE		OPTION-2		
LENGTH IN mm OF SHORTER SIDE OF ANGLES				LENGTH OR DIA	UPTO 6	6-30	30-120	120-315			DRAWN	ARK	NITROGEN & HELIUM HEADERS		
UPTO 10	10-50	50-120	OVER 120-400		±0.1	±0.2	±0.3	±0.5			DESIGNED		REF DRG NO:	REV RD	
+1'	+0'-30'	+0'-20'	+0'-10'								APPROVED		DRG. NO	2.04.02.039	SHEET 02 OF 03