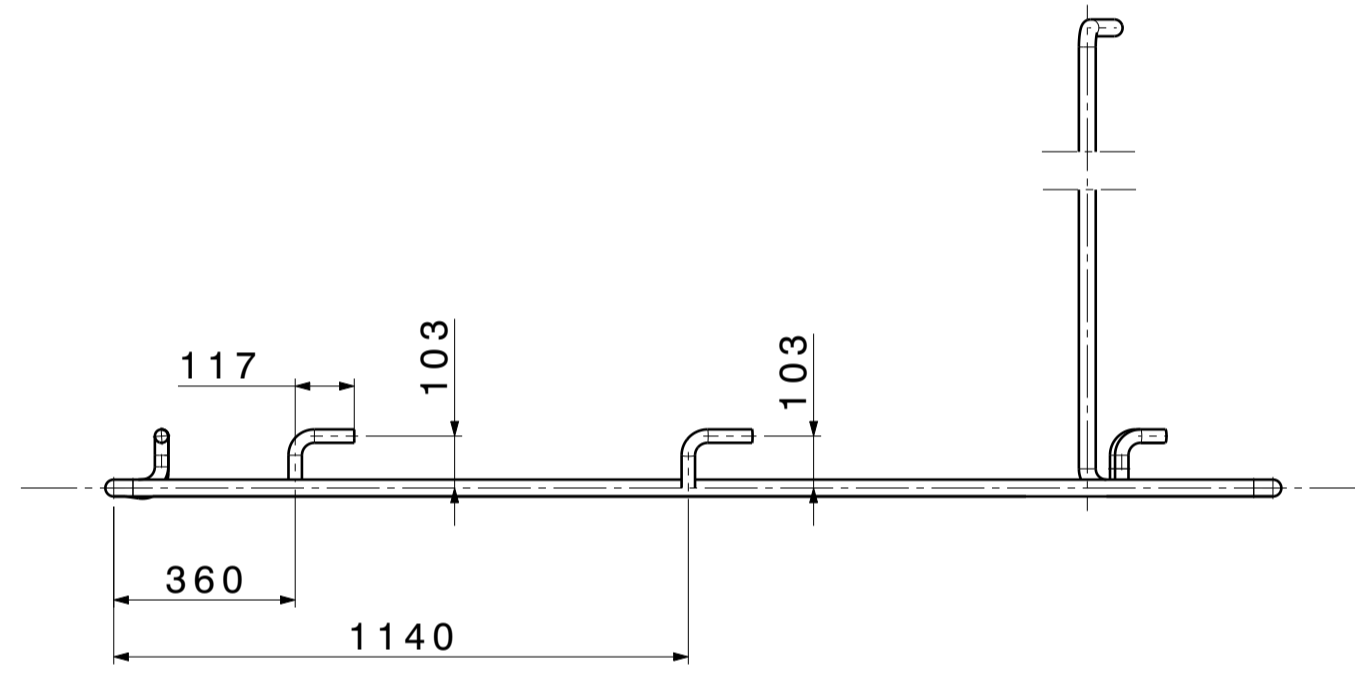
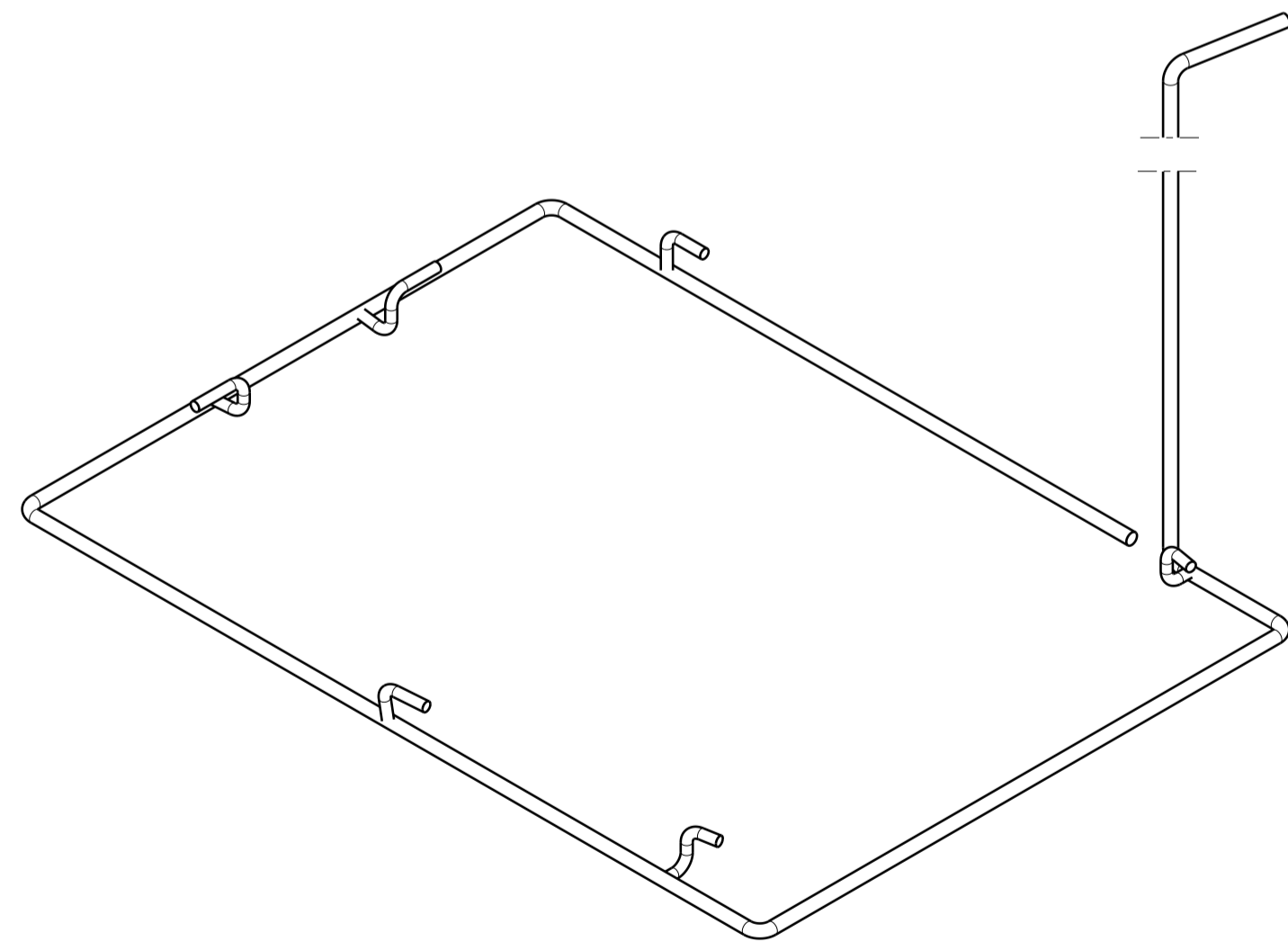


TOP VIEW

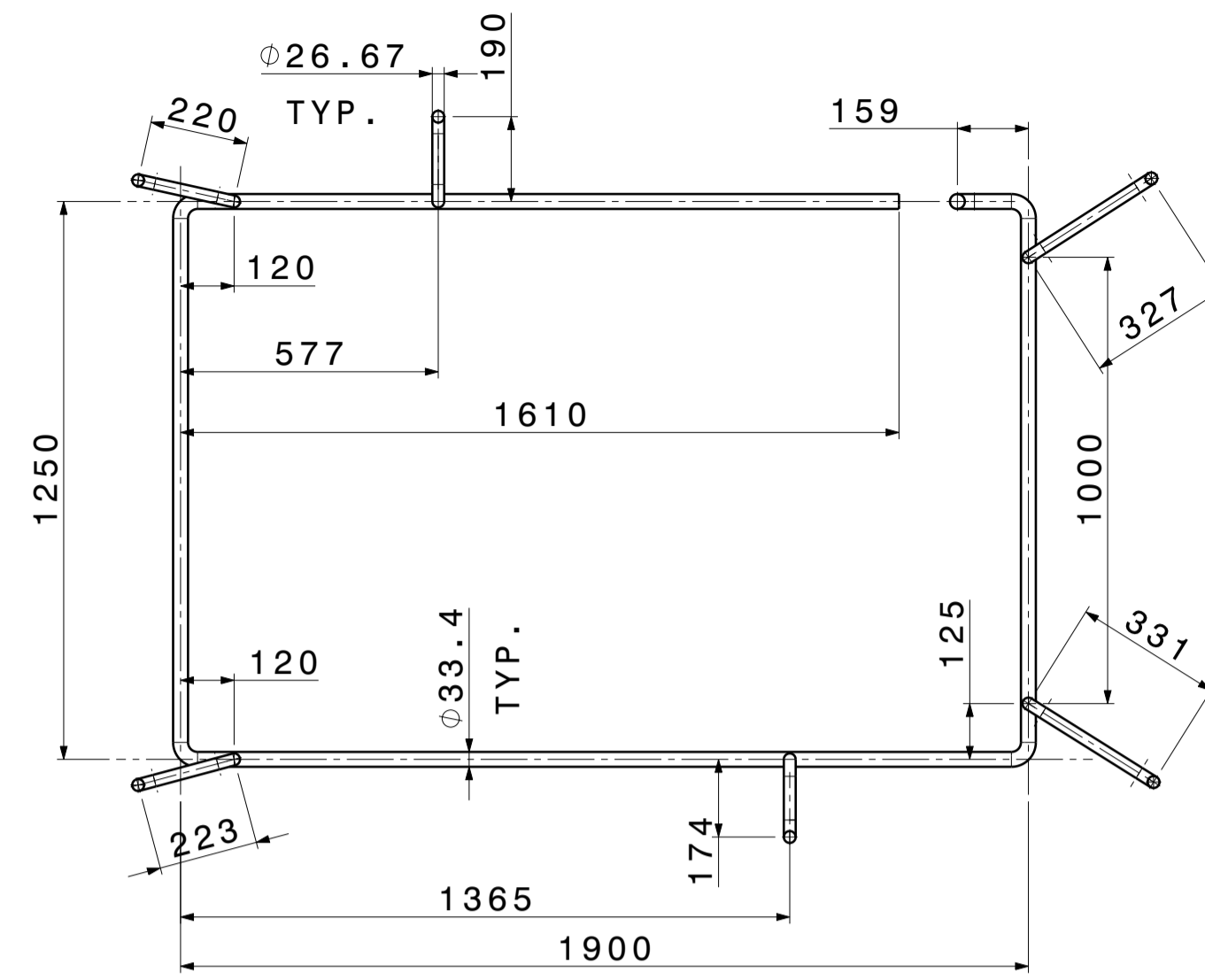


FRONT VIEW

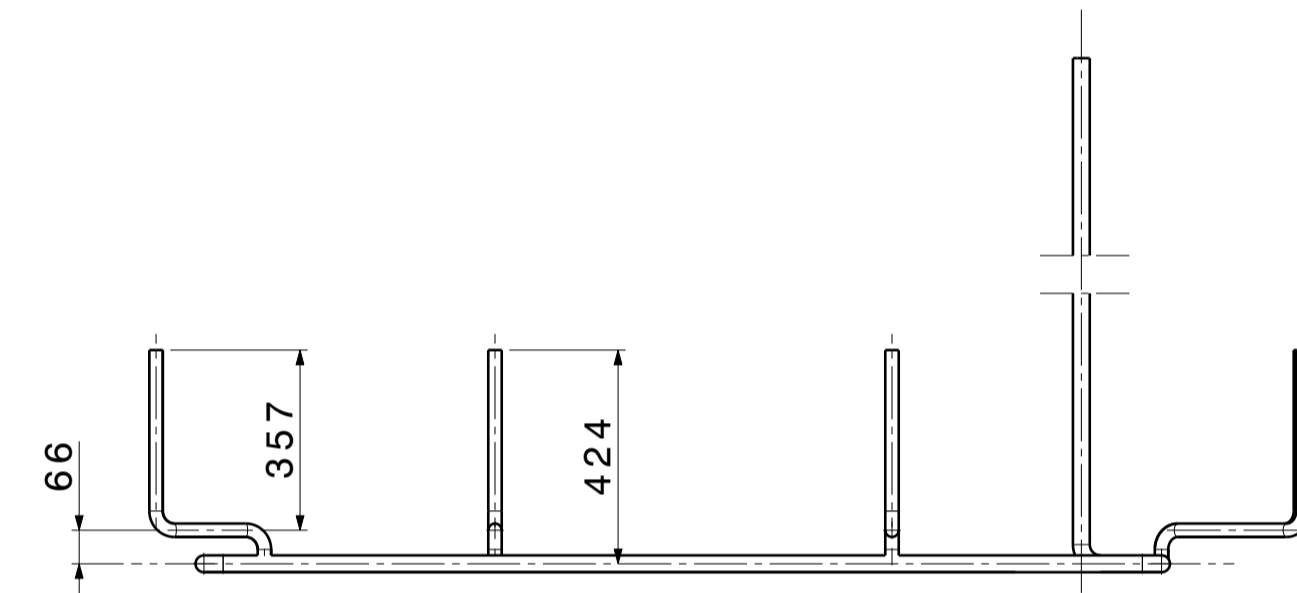


ISOMETRIC VIEW

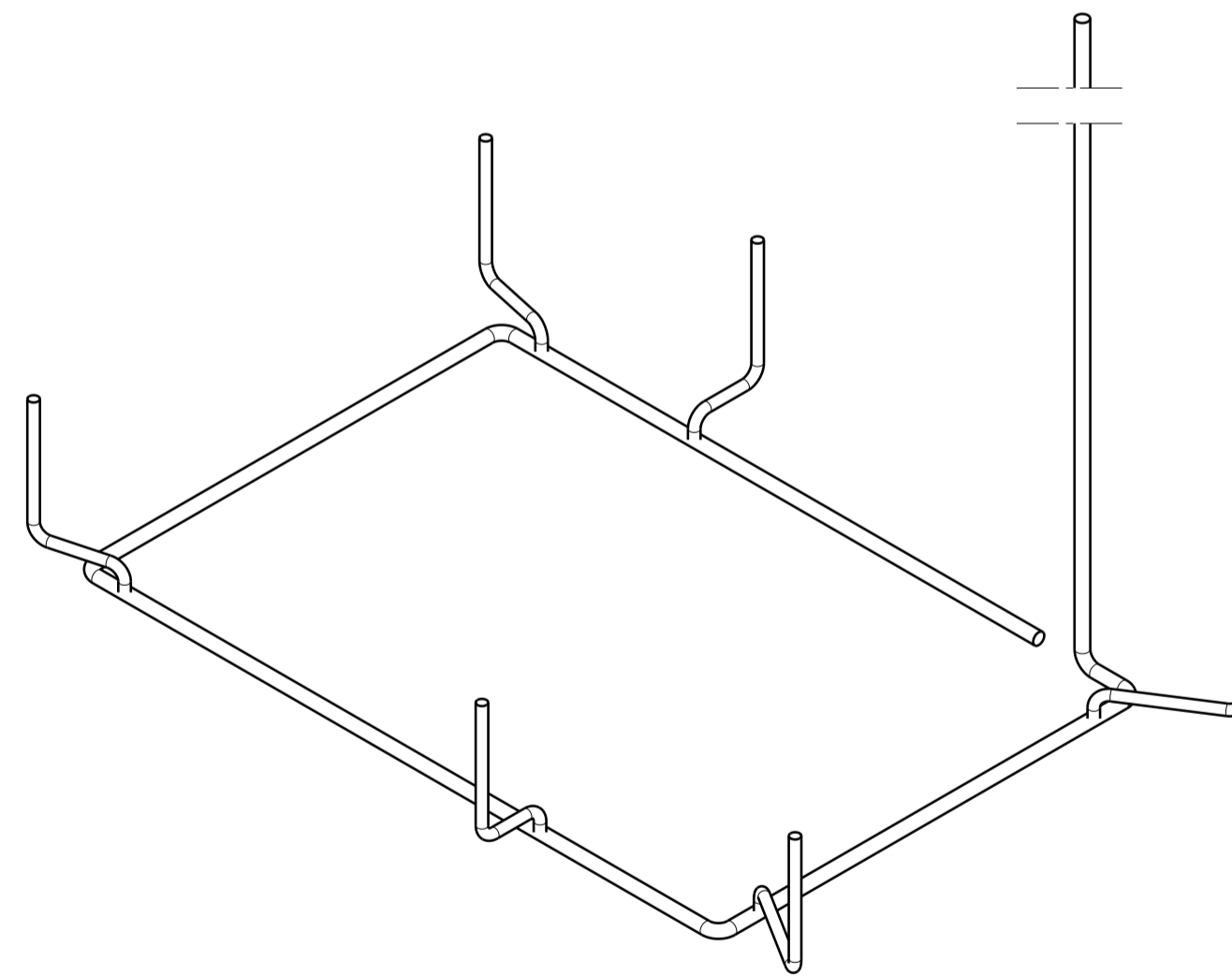
**NITROGEN SUPPLY HEADER**



TOP VIEW



FRONT VIEW

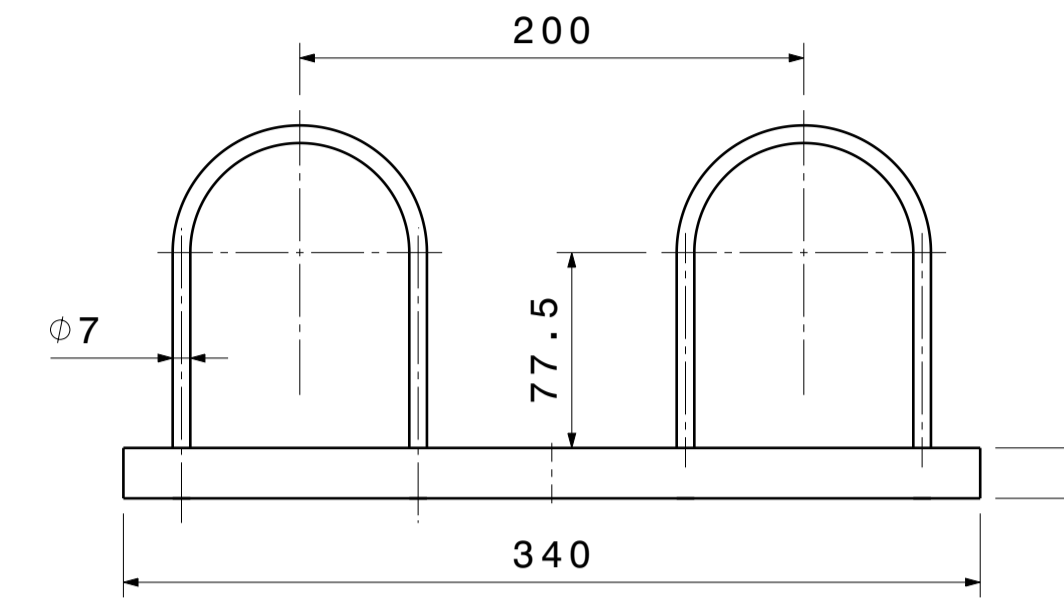


ISOMETRIC VIEW

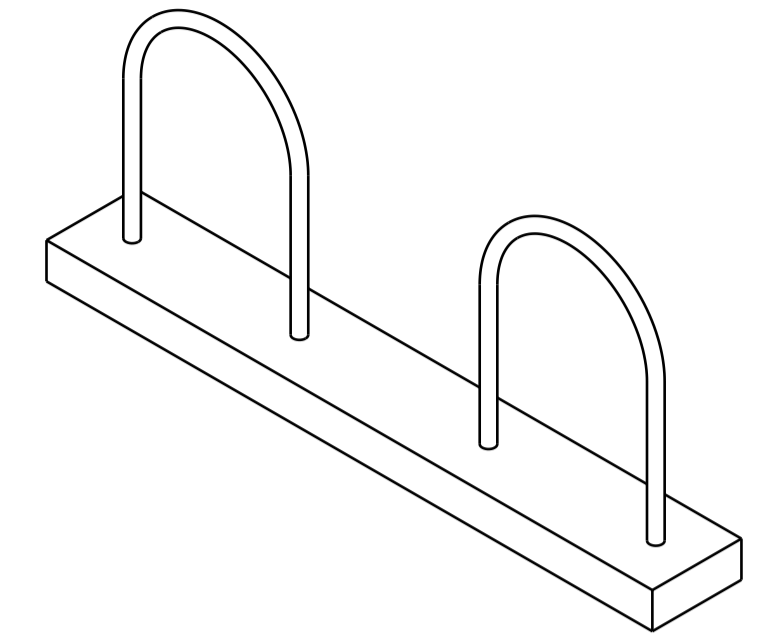
**HELIUM SUPPLY HEADER**



TOP VIEW

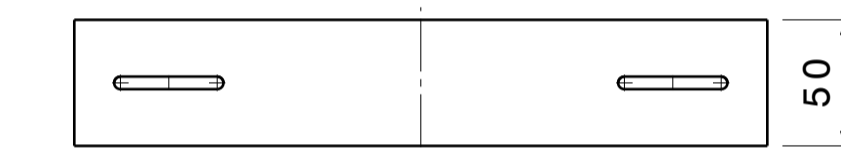


FRONT VIEW

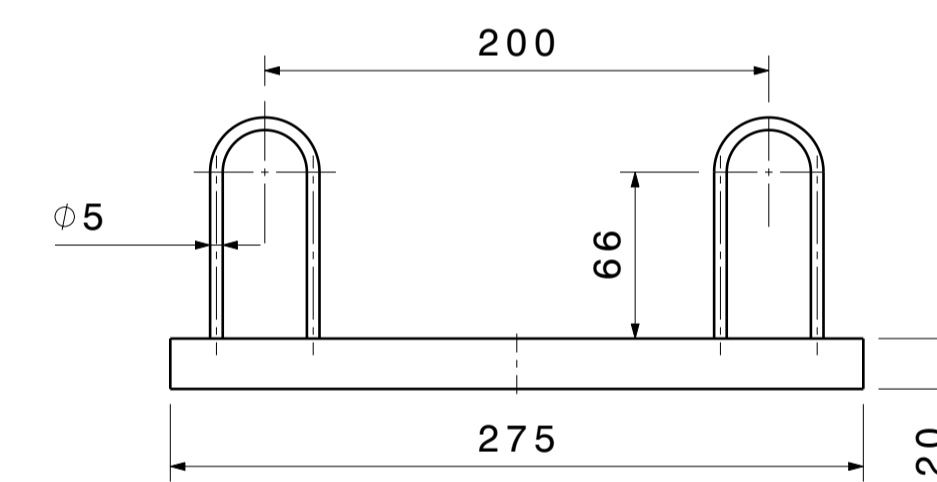


ISOMETRIC VIEW

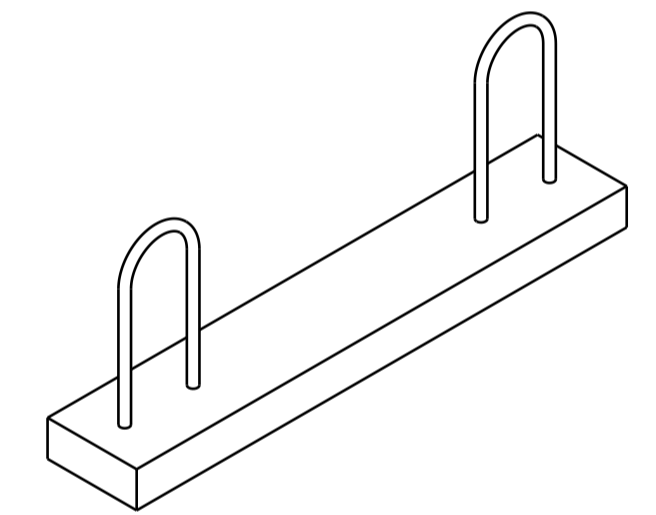
**SUPPORT CLAMP FOR HEADER-1  
(SS304L)**



TOP VIEW



FRONT VIEW



ISOMETRIC VIEW

**SUPPORT CLAMP FOR HEADER-2  
(SS304L)**

**NOTE: -**

- PLEASE NOTE THAT SUPPORT CLAMP FOR HEADER -1 & 2 ARE IN THE SCOPE OF SUPPLY.
- REQUIRED QTY. 6 + 6

DRG. NO	▽ 8-25	▽▽ 1.6-8	▽▽▽ 0.025-1.6	▽▽▽▽ < 0.025	REVISION COLUMN				NBI GROUP:	SIZE	INSTITUTE FOR PLASMA RESEARCH		
CO-ORDINATED BY					REV	ZONE	DESCRIPTION	DATE	REMARKS	APPROVED BY	A3	BHAT, GANDHINAGAR-382 428.	
MACHINING DEVIATIONS FOR NON-TOLERANCED DIMENSIONS													
LENGTH IN mm OF SHORTER SIDE OF ANGLES				LENGTH OR DIA	UPTO 6	6-30	30-120	120-315			SCALE	TITLE	
UPTO 10	10-50	50-120	OVER 120-400		±0.1	±0.2	±0.3	±0.5			DATE	OPTION-2 NITROGEN & HELIUM HEADERS	
±1'	±0'-30'	±0'-20'	±0'-10'								DESIGNED	REF DRG NO:	
										APPROVED	DRG. NO	2.04.02.039	
												REV RD	SHEET 03 OF 03