

INSTITUTE FOR PLASMA RESEARCH

An Aided institute of department of Atomic Energy, Govt. of India)
Near Indira Bridge, Bhat. DIST.GANDHINAGAR - 382 428 (INDIA)
PHONE :(079-2396 2000),FAX :91-079-23962277
Web : www.ipr.res.in

MINOR FABRICATION WORKS ENQUIRY

Office Copy

ENQUIRY NO :IPR/MFW/20-21/97

Date : 08-03-2021

Due Date : 31-03-2021 13:00 IST

Please send your offer in sealed envelope specifying Inquiry No, Date & Due Date, ALONG WITH your credentials for the following items:

Important Note:

Please note that e-mail quotations are not acceptable however you may send your queries (if any) to **kirti@ipr.res.in**

Please Ensure that your sealed quotation reaches this office not later than above mentioned due date and time.

Kindly go through the following document properly before Quoting which are available on the IPR web portal i.e., <http://www.ipr.res.in/documents/tenders.html/> attached here with.

1. Technical specification as enclosed.
2. Instruction to the bidders & terms and Condition (refer Form NO:**IPR-MFW-01-V1**)
3. Bidding format(refer Biddingformat MFW-Bid.pdf)

GST fro Goods and Services (IGST/CGST/SGST TAX BENEFITS): PLEASE REFER clause no:8 of Form No:**IPR-MFW-01-V1**

QUOTATION SHOULD BE ADDRESSED TO **KIRTI MAHAJAN** ONLY.

Sr.No.	Description	Quantity	Rate
1	Fabrication and Installation of Control Desk for SST-1 CCR	1	No.
2	Fabrication and Installation of TV Display Mount for SST-1 CCR	1	No.

Free Issue Material

Sr.No.	Description	Quantity	Unit	Value
--------	-------------	----------	------	-------

Note : Please quote with complete technical details (Technical Compliance sheet and product data sheet)

Kirti
8/3/2021

Encl:As per attachment

Sd/
KIRTI MAHAJAN
Scientific Officer-G

3

3

Fabrication and Installation of Control Desk and TV Display Mount for SST-1 CCR

Specifications of Control Desk:

As per the attached drawing.

Sr. No.	Item Description	Parameters
01	Work surface	25 mm MDF
02	Monitor base	25 mm MDF
03	Backbone structure	Mildsteel / Aluminium
04	Metal items	1.6 mm CRCA sheet
05	Front shutter	18 mm MDF
06	Back shutter	18 mm MDF
07	Color combination	Grey and Ivory

Provision to accommodate four computer workstations, having following mentioned dimensions:

Computer Monitors Size: 24 Inch diagonal length

Computer Control Unit Size: 18 cm (W) X 38 cm (H) X 42 cm (D)

Room layout: 610 cm (W) X 253 cm (H)

Warranty period: 1 years

Accessories:

- 1) Four number of electric power extension boards, each having capacity of five sockets with individual ON / OFF MCB switch.
- 2) Cable manager inside all racks
- 3) Cooling fan inside all cabinets
- 4) Four number of display monitor stands having height adjustable arm mount.

Specifications of control panel for mounting four TV displays

As per the attached drawing.

Provision to mount four TV displays in 2X2 matrix configuration.

Sr. No.	Item Description	Parameters
01	Work surface	25 mm MDF
02	Backbone structure	Mildsteel / Aluminium
03	Metal items	1.6 mm CRCA sheet
04	Front shutter	18 mm MDF
05	Back shutter	18 mm MDF
06	Color combination	Grey and Ivory

TV Display Size: 145.4 cm (W) X 83 cm (H)

TV Diagonal length: 65 Inch

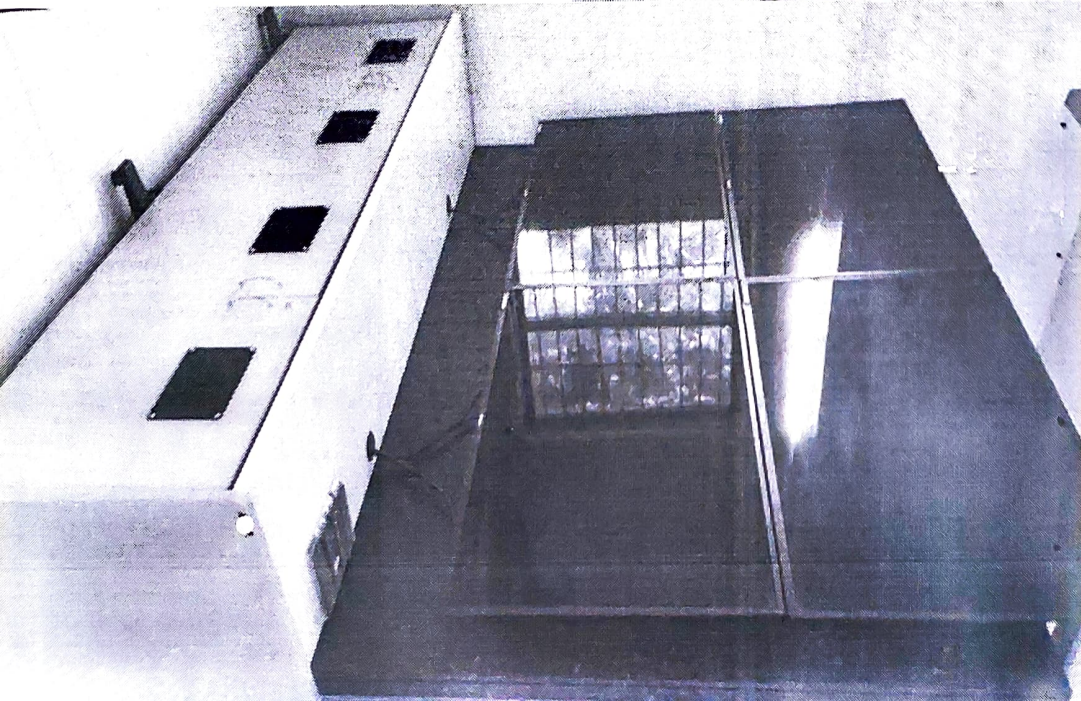
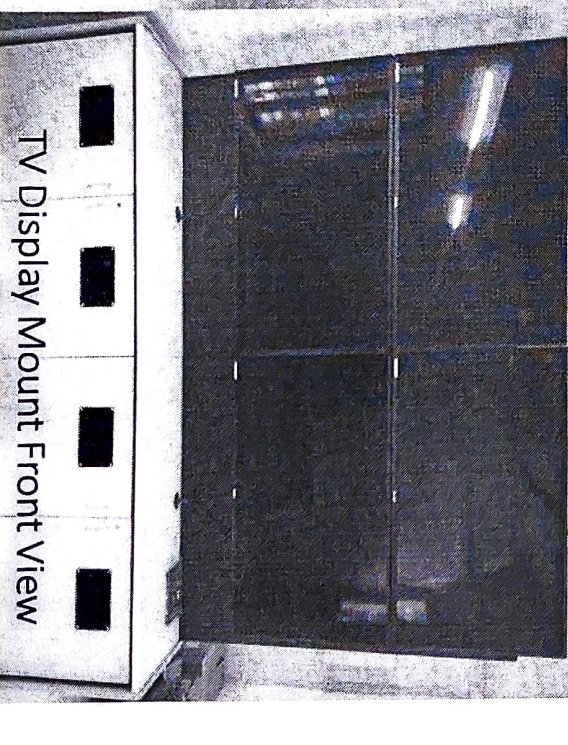
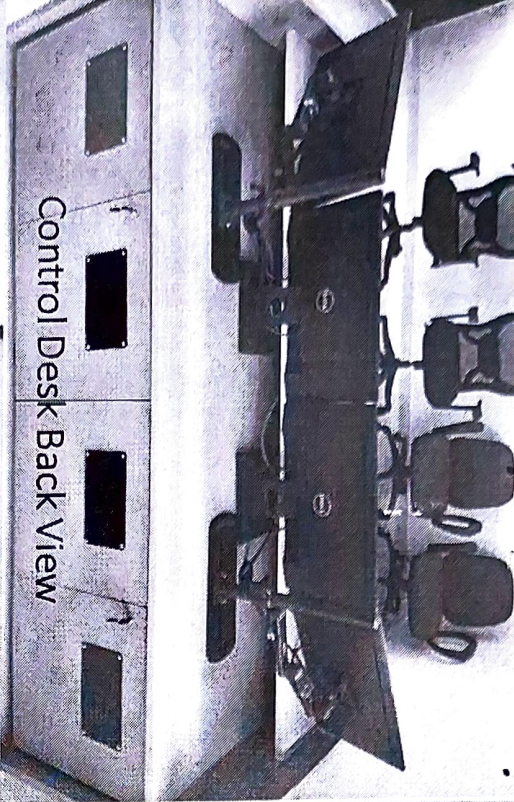
TV Weight: 25 Kg

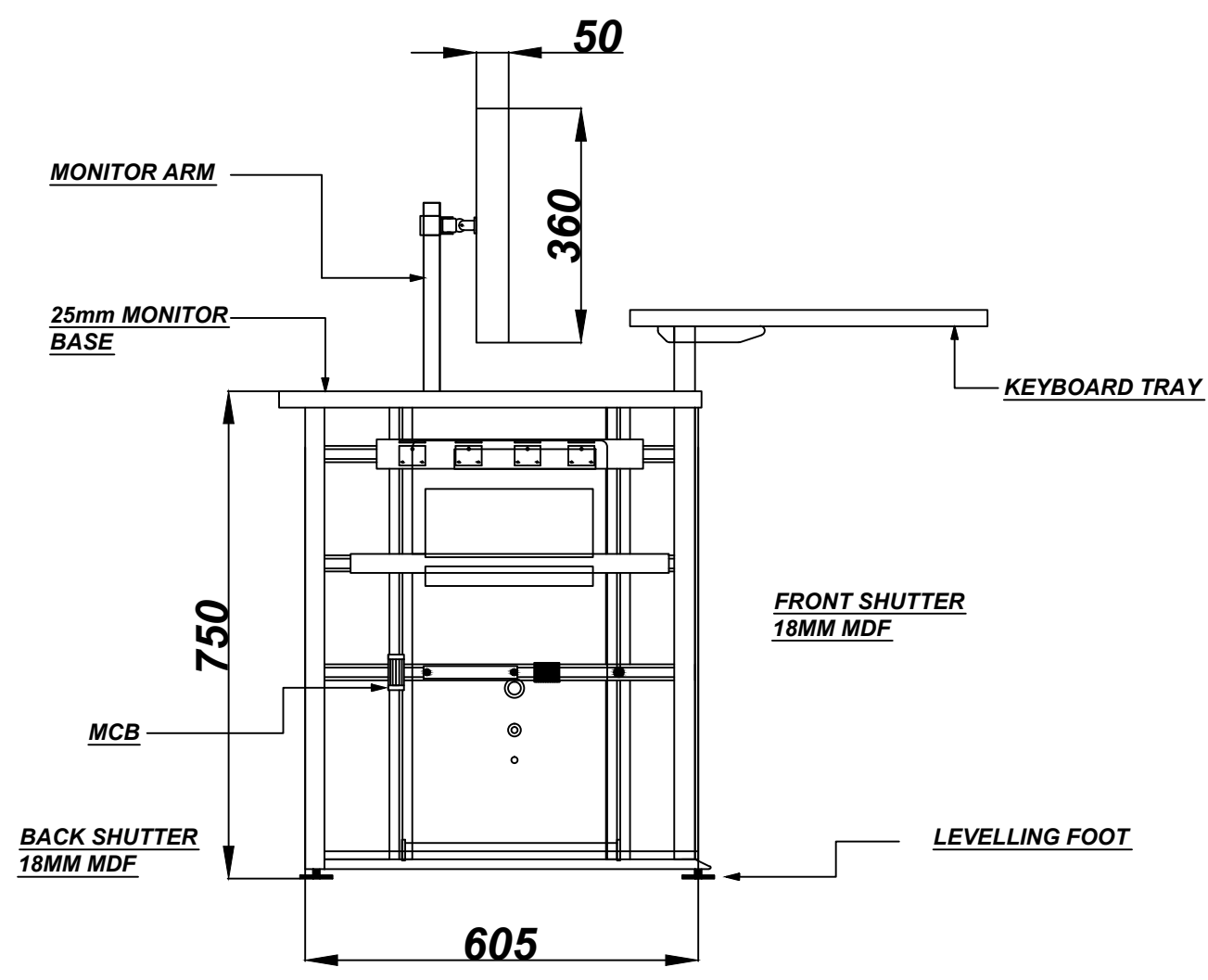
Room layout: 610 cm (W) X 253 cm (H)

Warranty period: 1 years

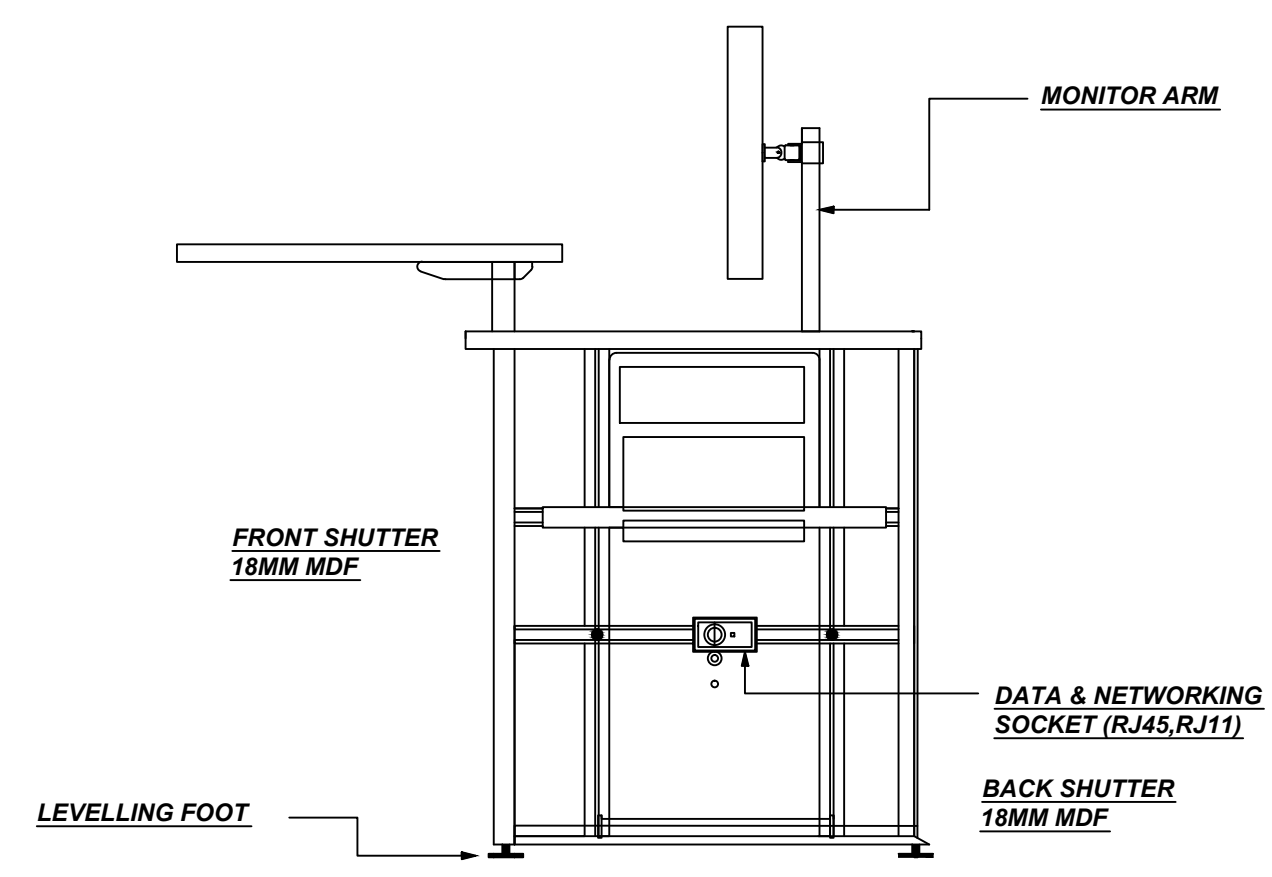
Accessories:

- 1) Four number of electric power extension boards, each having capacity of five sockets with individual ON / OFF MCB switch.
- 2) Cable manager inside all racks
- 3) Cooling fan inside all cabinets





LHS VIEW



RHS VIEW

DRG.NO	▽ 8.25	▽▽ 1.6-8	▽▽▽ 0.025-1.6	▽▽▽▽ < 0.025	REVISION COLUMN				ASSY GROUP:	INSTITUTE FOR PLASMA RESEARCH				
CO-ORDINATED BY					REV	ZONE	DESCRIPTION	DATE	REMARKS	APPROVED BY	ALL DIMENSIONS ARE IN "mm" UNLESS OTHERWISE STATED	TITLE	BHAT, GANDHINAGAR-362 428.	
MACHINING DEVIATIONS FOR NON-TOLERANCED DIMENSIONS														
LENGTH IN mm OF SHORTER SIDE OF ANGLES				LENGTH OR DIA	UPTO 6	6-30	30-120	120-315			SCALE	1:1	DATE	
UPTO 10	10-50	50-120	OVER 120-400		±0.1	±0.2	±0.3	±0.5			DRAWN	YATNA.PZL01.2022		
±1'	±0'-30'	±0'-20'	±0'-10'								CHECKED		REF DRG NO: A1	REV R0
										APPROVED		DRG.NO	A1	SHEET 01 OF 01

Fabrication and Installation of Control Desk and TV Display Mount for SST-1 CCR

Vendor's Compliance Statement for Control Desk:

Sr. No.	Item Description	Parameters	Vendor's Compliance Statement
01	Work surface	25 mm MDF	
02	Monitor base	25 mm MDF	
03	Backbone structure	Mildsteel / Aluminium	
04	Metal items	1.6 mm CRCA sheet	
05	Front shutter	18 mm MDF	
06	Back shutter	18 mm MDF	
07	Color combination	Grey and Ivory	
08	Warranty period	1 year	
09	Standard Accessories	<ul style="list-style-type: none"> ➤ Four number of electric power extension boards, each having capacity of five sockets with individual ON / OFF MCB switch. ➤ Cable manager inside all racks ➤ Cooling fan inside all cabinets ➤ Four number of display monitor stands having height adjustable arm mount. 	
10	Design of the control desk	As per the IPR furnished drawings	
10	Provision to accommodate four computer workstations, having following parameters: Computer Monitors Size: 24 Inch diagonal length Computer Control Unit Size: 18 cm (W) X 38 cm (H) X 42 cm (D) Room layout: 610 cm (W) X 253 cm (H)		

Vendor's Compliance Statement of Control panel for mounting four TV displays

Sr. No.	Item Description	Parameters	Vendor's Compliance Statement
01	Work surface	25 mm MDF	
02	Backbone structure	Mildsteel / Aluminium	
03	Metal items	1.6 mm CRCA sheet	
04	Front shutter	18 mm MDF	
05	Back shutter	18 mm MDF	
06	Color combination	Grey and Ivory	
07	Warranty period	1 Year	
08	Standard Accessories	<ul style="list-style-type: none"> ➤ Four number of electric power extension boards, each having capacity of five sockets with individual ON / OFF MCB switch. ➤ Cable manager inside all racks ➤ Cooling fan inside all cabinets 	
09	Design of the TV Display	As per the IPR furnished drawings	
10	Provision to mount four TV displays in 2X2 matrix configuration, having following parameters: TV Display Size: 145.4 cm (W) X 83 cm (H) TV Diagonal length: 65 Inch TV Weight: 25 Kg Room layout: 610 cm (W) X 253 cm (H)		

(This need to be printed in Bidders letter head)

1. Please quote with complete technical details along with technical compliance sheet.
2. Quotation should be submitted in the format given below, else IPR shall not consider the offer by the vendor.

NAME OF PARTY : _____

ENQUIRY NO: _____

QUOTATION No. & DATE : _____

Currency of Quotation: **Indian Rupees**

Sr. No.	Item Description	HSN/SAC Code	Quantity	Unit Rate (Basic)	Packaging & forwarding (P&F)	Applicable GST	Rate (incl P&F and GST)	Total Value
			a	b	c	d	e = b + c + d	f = a * e
1								
2								
3								
4								
5								
6								

Sr. No.	Particular	Remarks
I.	Ex-works / FOR Destination	
II.	Freight	
III.	Insurance	
IV.	Delivery Period	
V.	Payment (IPR terms will apply)	
VI.	Guarantee / Warrantee	
VII.	Validity Period	
VIII.	Discount (if any)	
IX.	Remarks	

Place: Authority Signatory

Date: Company Seal

Note:

1. Bidder should submit the copy of GSTIN / ARN Certificate along with the offer
2. Bidder should specify the SUPPLY and SERVICE rates/ charges separately wherever applicable



INSTRUCTIONS TO BIDDERS AND TERMS AND CONDITIONS

1. The Quotation and any order resulting from this enquiry shall be governed by our Conditions of Work Order and Contractor quoting this enquiry shall be deemed to have read and understood the same completely.
2. Where counter terms and conditions have been offered by the Tenderer, the same shall not be deemed to have been accepted by IPR unless our specific written acceptance thereof is obtained.
3. **Quotation:** Quotation should be submitted in the prescribed QUOTATION FORMAT attached with this Enquiry and the same should be submitted in a sealed envelope super-scribing the same with our enquiry No., date, due date and brief description of item on or before the due date. Late/delayed/incomplete/unsigned quotations will not be considered. Envelopes received without Enquiry number, date, due date and brief description of item may be rejected. The quoted prices should be firm for a period of 90 days from due date for placing order. IPR is not bound to accept lowest rate/s. IPR reserves the right to place on one or more parties. The scope of supply includes insurance by the Contractor.
4. **Specifications:** Goods should be offered strictly confirming to our specifications/drawings. Deviation, if any, should be clearly indicated by the contractor in their quotation. The Tenderer should also indicate the Make/Type number of the goods offered and catalogues, technical literature and samples, wherever necessary should accompany the quotation. Clarification/s on drawings should be obtained before submitting quotation.
5. **Terms of Prices:** Quotation should be submitted on door delivery basis without extra charge wherever possible. For quotations on Ex-Works, Ex-godown basis the approximate packing and forwarding charges should be indicated by the contractor. In the case of local contractors, the goods are to be delivered at our stores free of charge.
- 5.1 In respect of tenders on Ex-works basis, in case the tenderer has not mentioned in the offer packing, forwarding and transportation charges for safe delivery up to Purchaser's site, 2% of the price quoted towards packing (in respect of both local and outstation firms), 1% of the basic price quoted towards safe delivery charges in respect of local tenderer and 3% of the basic price quoted towards safe delivery charges in respect of outstation firm will be added for comparison of offers on safe door delivery at Purchaser's site.
- 5.2 Prices are required to be quoted according to the units indicated in the tender form/Enquiry. When Quotations are given in terms of units other than those specified in the tender form, relationship between the two sets of units must be furnished
6. Tender should be free from Correction and Erasures. Corrections, if any, must be attested. All amounts shall be indicated both in words as well as in figures. Where there is difference between amounts quoted in words and figures, amount quoted in words shall prevail. Unsigned quotations will summarily be rejected. If there is a discrepancy between the unit price and total price, unit price shall prevail.
7. IPR shall be under no obligation to accept the lowest or any tender and reserves the right of acceptance of the whole or any part of the tender or portion of the quantity offered and the tenderers shall supply the same at the rate quoted.
8. **Goods & Services Tax (GST):** The details of Taxes/GST and other levies legally applicable and intended to be claimed should be clearly indicated in the tender. Where this is not done, no claim on these accounts would be admissible later.
 - a) **GST for Goods (IGST/CGST/SGST TAX BENEFITS):**

IPR is entitled to avail tax benefit as per the following notifications issued by Ministry of Finance, Department of Revenue, Government of India:
(1) No: 47/2017-INTEGRATED TAX (RATE) DATED 14/11/17 for IGST
(2) No: 45/2017-CENTRAL TAX (RATE) DATED 14/11/17 for CGST

And,
IPR is entitled to avail tax benefit as per the following notifications issued by Finance Department, Government of Gujarat:
(1) No. 45/2017-STATE TAX (RATE) DATED 15/11/17 for SGST

As per above notifications IPR will bear only 5% IGST for procurement of goods from outside Gujarat & 2.5% CGST and 2.5% SGST (total 5%) for procurement of goods within Gujarat. Vendors are required to charge tax as per these notifications while quoting/supplying the goods. Deviations, (if any) should be clearly mentioned in the quotation/offer.

Please specify the HSN codes while quoting.
 - b) **GST for Services:**

As applicable. **Specify the SAC codes wherever services are involved.**
9. **Delivery Date:** Delivery period is essence of the Contract. Contractor must indicate the firm delivery date by which the goods will be dispatched or delivered by them from the date of our order. Delivery period shall be clearly indicated against each item separately.
10. **Price/ Purchase Preference:** Purchase/Price preference to industries will be given as per the policy of the Government of India in force at the time of evaluation provided their offer is in compliance with the conditions of the policy.



प्लाज्मा अनसंधान संस्थान

(भाट, इन्दिरा पल के पास, गांधीनगर 382428 - , गजरात) भारत

Institute for Plasma Research

Bhat, Near Indira Bridge, Gandhinagar - 382428, Gujarat (INDIA)

Phone: +91-79-23962000 Fax: +91-79-23962277 Website: www.ipr.res.in



11. **Liquidated Damages:** The successful Vendor/Bidder should pay liquidated damages @ ½% (half percent) of the total work order value for the delay of each week in the scheduled date of completion of the work envisaged in the Work Order subject to a maximum of 5% (Five percent) of the total Work Order value.
12. **Inspection:** Goods on its arrival at IPR will be inspected by Stores, and his decision in the matter will be final. However, where the items are required to be inspected at the Contractors Premises, Contractor has to give advance notice regarding readiness of the Goods to enable us to depute our representative for inspection.
13. **Payment:** Payment will be arranged for accepted goods only within 30 days from the date of receipt of goods at IPR and bills in our accounts section, completed in all respects.
14. No correspondence will be entertained within 30 days from the date of receipt of good and bills, whichever is later.
15. **Guarantee:** The Stores offered should be guaranteed for a minimum period of twelve months, from that date of acceptance, against defective Goods, design, workmanship, operation or manufacture. For defects noticed and communicated during the Guarantee period, replacement/rectification should be arranged free of cost within a reasonable period of such notifications. In case where our specifications call for a guarantee period more than 12 months specifically, then such a period shall apply.
16. **Performance Bank Guarantee:** If demanded by IPR, the successful bidder will have to furnish Performance Bank Guarantee for 10% of the order value (basic price) from a Nationalized/Scheduled Bank/State Bank of India, valid throughout the Guarantee/Warranty period. The scheduled banks approved by IPR are Axis Bank, HDFC Bank, ICICI Bank and IDBI Bank. Bank Guarantees submitted other than from banks approved by IPR will not be accepted.
17. **Security Deposit:** If demanded the successful Bidder will have to furnish to the Purchaser an interest free security deposit for 10% (Ten percent) of the order value in the form of Bank Guarantee of an equivalent amount from a nationalized/ scheduled Bank/State Bank of India within 15 days from the date of work order and the said Guarantee should be valid till the goods are accepted by IPR. The scheduled banks approved by IPR are Axis Bank, HDFC Bank, ICICI Bank and IDBI Bank. Bank Guarantees submitted other than from banks approved by IPR will not be accepted. The Security deposit shall be forfeited in case the selected Bidder does not start the work within the time limit specified or fail to complete the work within the stipulated delivery period or fail to comply with any of the terms and conditions in the work order. On successful completion of scope of work and its acceptance by IPR, Contractor should send a letter requesting return of the original BG.
18. The Contractor shall at all times indemnify the purchase against all claims which may be made in respect of the stores for infringement of any right protected by Patent Registration of design or Trade Mark and shall take all risk of accidents or damage, which may cause failure of supply from whatever cause arising and the entire responsibility for sufficiency of all means used by him for the fulfilment of the contract.
19. **Free Issue Material (FIM):** Successful tenderer will have to arrange insurance showing beneficiary as "Institute for Plasma Research" at their risk and cost towards adequate security for the materials/property provided/issued by the Purchaser as Free Issue Material for the due execution of the contract.
20. The Director, IPR reserves the right to accept or reject any quotations fully or partly or to cancel the enquiry without assigning any reason.
21. **Jurisdiction:** The contract shall be governed by the Laws of India for the time being in force. The Courts of Gandhinagar only shall have jurisdiction to deal with and decide any legal or dispute arising out of this Contract.