

INSTITUTE FOR PLASMA RESEARCH

An Aided institute of department of Atomic Energy, Govt. of India)
Near Indira Bridge, Bhat. DIST.GANDHINAGAR - 382 428 (INDIA)
PHONE :(079-2396 2000),FAX :91-079-23962277
Web : www.ipr.res.in

MINOR FABRICATION WORKS ENQUIRY

Office Copy

ENQUIRY NO :IPR/MFW/22-23/140

Date : 25-07-2022

Due Date : 13-09-2022 13:00 IST

Please send your offer in sealed envelope specifying Inquiry No, Date & Due Date, ALONG WITH your credentials for the following items:

Important Note:

Please note that e-mail quotations are not acceptable however you may send your queries (if any) to **jghosh@ipr.res.in**

Please Ensure that your sealed quotation reaches this office not later than above mentioned due date and time.

Kindly go through the following document properly before Quoting which are available on the IPR web portal i.e., <http://www.ipr.res.in/documents/tenders.html/> attached here with.

1. Technical specification as enclosed.
2. Instruction to the bidders & terms and Condition (refer Form NO:IPR-MFW-01-V1)
3. Bidding format(refer Biddingformat MFW-Bid.pdf)

GST fro Goods and Services (IGST/CGST/SGST TAX BENEFITS): PLEASE REFER clause no:8 of Form No:IPR-MFW-01-V1

QUOTATION SHOULD BE ADDRESSED TO **JOYDEEP GHOSH** ONLY.

Sr.No.	Description	Quantity	Rate
1	Fabrication, Assembly and Supply of Gas feed Pulse arbitrary pulse generator Circuit & its accessories as per the attachment	1	No.

Free Issue Material

Sr.No.	Description	Quantity	Unit	Value
1	Not Applicable	0.00	No.	0.00

Note : Please quote with complete technical details (Technical Compliance sheet and product data sheet)

Encl:As per attachment

Sd/-
JOYDEEP GHOSH
Associate Professor-F

Technical Specification for the Fabrication, Assembly and Supply of Gas feed Pulse arbitrary pulse generator Circuit & its accessories

1. Introduction:

IPR requires Gas feed Pulse arbitrary pulse generator Circuit. The vendor needs to design circuit using Xilinx FPGA, carry out PCB layout, and procure electronics components, its assembly, soldering, and assembly inside two enclosures.

2. IPR Provides following things as input to the work:

- a) Block diagram of arbitrary square wave generator circuit & requirements;

3. Scope of Work of the vendor:

The scope of work includes, but not limited to, the following main tasks:

- a) Comprehensively Understand all the requirements of IPR;
- b) Schematic Design;
- c) Getting Schematic Approval from IPR after vendor corrects / updates / modifications schematic as suggested by IPR;
- d) PCB layout;
- e) Procurement of the electronics components of 2 PCBs, & 2 enclosure;
- f) Good Quality Soldering of the components on the 2 PCBs;
- g) Programing & testing of FPGA, developing & programming Graphical User interface using LabVIEW of 2 PCBs as per IPR requirements;
- h) Labelling of the Enclosure;
- i) PCB mounting in each enclosure using suitable spacers & screws;
- j) Mounting & internal wiring of all required connectors for inputs & outputs;
- k) IPR Engineers inspects work (Online / Offline whichever feasible);
- l) IPR Engineers suggest corrects / updates / modifications;
- m) Vendor implements changes;
- n) Vendor delivers material at IPR stores;

4. IPR Requirements

A. Basic Requirements:

IPR requires a four channel arbitrary square wave generator where each channel is independent of each other and each channel is able to deliver burst of 64 pulses and parameter of each individual pulse can be configured for pulse delay, pulse width and pulse amplitude as shown in the below figure for one channel.

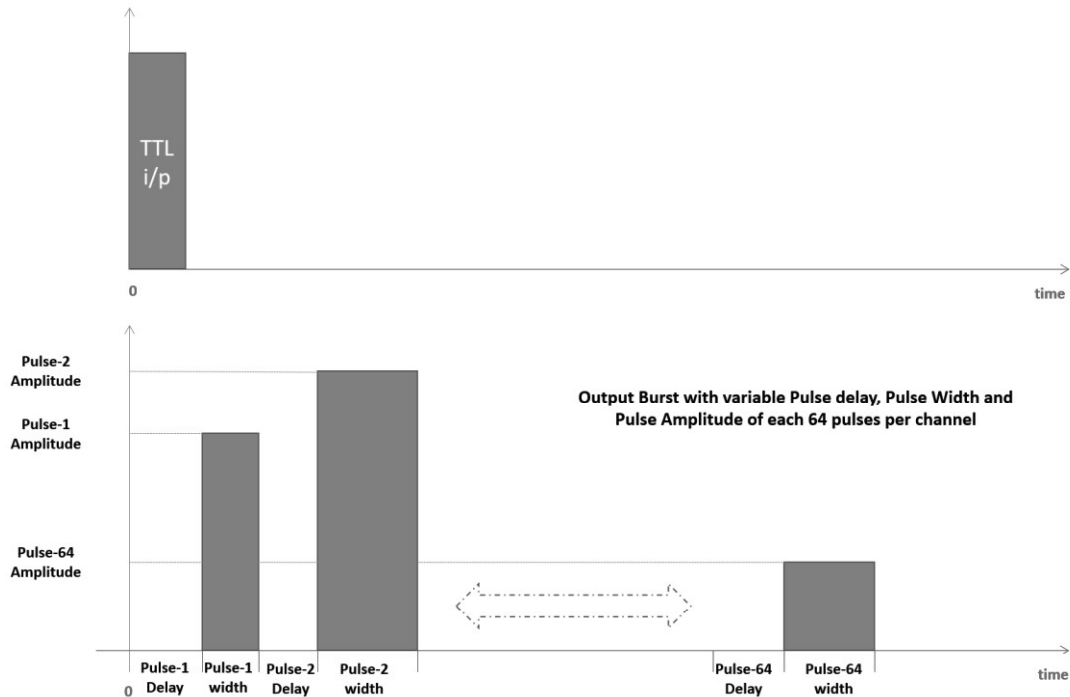


Figure 1 One channel of arbitrary pulse generator consisting of 64 pulses

The arbitrary square wave generator is required in three parts as shown in Figure #3:

B. LabVIEW graphical user interface Requirements:

1) LabVIEW graphical user interface

- a) LabVIEW graphical user interface which is communicating FPGA based pulse generator using Ethernet or USB. Here one can set pulse parameter of each pulse of all four channels.
- b) LabVIEW must be able to show if communication established or not with pulse generator.
- c) LabVIEW must provide manual trigger option.
- d) LabVIEW must provide button to load the pulse parameters in pulse generator.
- e) LabVIEW must provide option to enable or disable the output of any of four channels.
- f) LabVIEW must provide option to change the threshold voltage of soft Comparator in FPGA for analog input channel to enable disable any output channel.

Channel: 01				Channel: 02			
Set No. of Pulses		64		Set No. of Pulses		64	
Pulse No:	Pulse Delay	Pulse Width	Pulse Amplitude	Pulse No:	Pulse Delay	Pulse Width	Pulse Amplitude
1				1			
2				2			
.....						
.....						
64				64			

Channel: 03				Channel: 04			
Set No. of Pulses		64		Set No. of Pulses		64	
Pulse No:	Pulse Delay	Pulse Width	Pulse Amplitude	Pulse No:	Pulse Delay	Pulse Width	Pulse Amplitude
1				1			
2				2			
.....						
.....						
64				64			

Figure 2 LabVIEW Operator interface for setting Burst of four channel of Pulse arbitrary pulse generator

2) FPGA based Pulse generator

It produces four channel output as configured from LabVIEW by the user upon receiving trigger in the voltage range up to 5 VDC.

3) Pulse Power Amplifier:

It amplifies FPGA pulse generator in the voltage range up to 200 VDC.

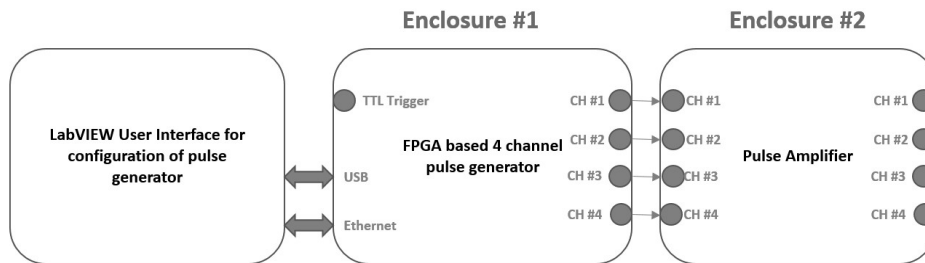


Figure 3 Three part of overall requirements

C. Hardware Requirements Enclosure #1:

Front Plat:

- a) Isolated BNC connector for TTL Input Trigger with label
- b) Isolated BNC connector for Analog Input signal with label
- c) Push button for manual trigger with label
- d) LED indicator for External / Manual trigger with label
- e) Label: "ARBITRARY PULSE GENERATOR CIRCUIT"
- f) Power ON indicator with label
- g) Communication Established indicator with label
- h) Isolated BNC connector for 4 channels outputs with label

	Manual push button on front panel	
No. of Channels	04	
No. of Pulses per channel (any number of pulses can be set from LabVIEW)	64	
Each pulse	Pulse Delay minimum	10 us (micro seconds)
	Pulse Delay maximum	500 ms
	Pulse width minimum	10 us (micro seconds)
	Pulse width maximum	500 ms
	Pulse Amplitude minimum	0.1 VDC
	Pulse Amplitude maximum	5.0 VDC
DAC	Digital to Analog Converter Resolution	16 bit DAC
Maximum allowable Rise time & fall time of each pulse of all four channels	Maximum allowable Rise time & fall time of each pulse of all four channels at final output	3 us (micro seconds)
Analog Input	0 to 10 VDC to 16 bit ADC at 50 kSps with enabling / disabling 4 channels output based on the setting	1 channel

E. Hardware Requirements Enclosure #2:

Front Plat:

- a) Isolated BNC connector for 4 channels inputs
- b) Isolated BNC connector for 4 channels outputs
- c) Label: "PULSE AMPLIFIER CIRCUIT"
- d) Power ON indicator with label

Back Plat:

- a) AC input socket & fuse 230 VAC with label

Side Plat:

- a) A cooling fan with dust cover

F. Functional Requirements of Enclosure #2:

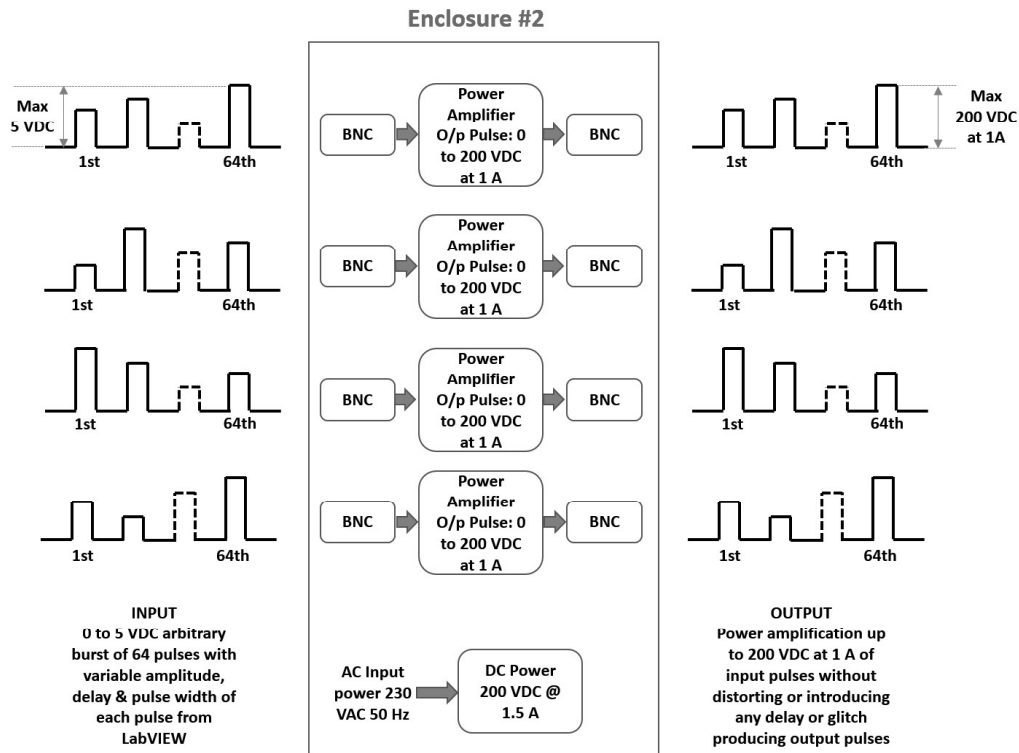


Figure 5 Functional Requirements of Enclosure #2:

- a) 4 channel inputs from Enclosure #1
- b) Power Amplified 4 channel outputs at 200 V at 1 A of each channel

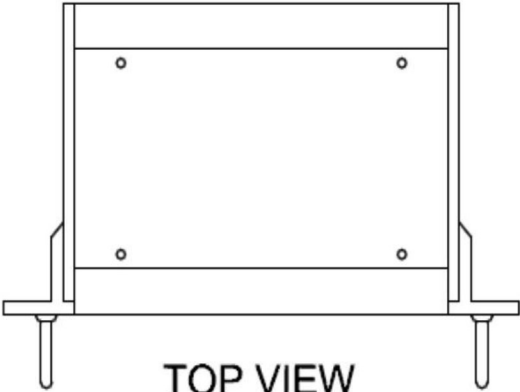
Table 2 Functional Specifications of Enclosure #2

No. of Channels	04	
Pulse parameter of each pulse of 4 channel		
Each pulse	Pulse Delay minimum	10 us (micro seconds)
	Pulse Delay maximum	500 ms
	Pulse width minimum	10 us (micro seconds)
	Pulse width maximum	500 ms
Maximum allowable Rise time & fall time of each pulse of all four channels	Maximum allowable Rise time & fall time of each pulse of all four channels at final output	5 us (micro seconds)
Input Voltage	Pulse Amplitude minimum	0.1 VDC
	Pulse Amplitude maximum	5.0 VDC
Output Voltage	Pulse Amplitude minimum	0.25 VDC
	Pulse Amplitude maximum	200.0 VDC
Output Voltage of each channel	Minimum Output Current @ 200	1 Ampere

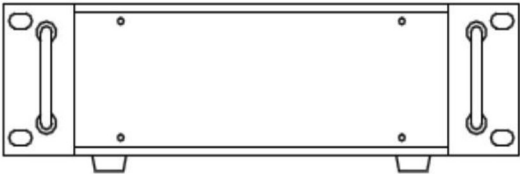
	VDC pulse Amplitude	
DC Power for all four channels	210 VDC at 5 A using step down transformer, full wave bridge rectification and capacitive filter. Ripple voltage acceptable 5 % of output voltage	

G. Enclosure

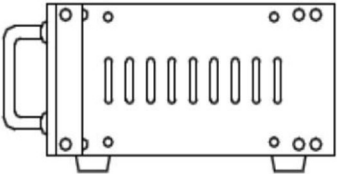
Acceptable 19" Standard Rack Mount Enclosure General body structure




TOP VIEW




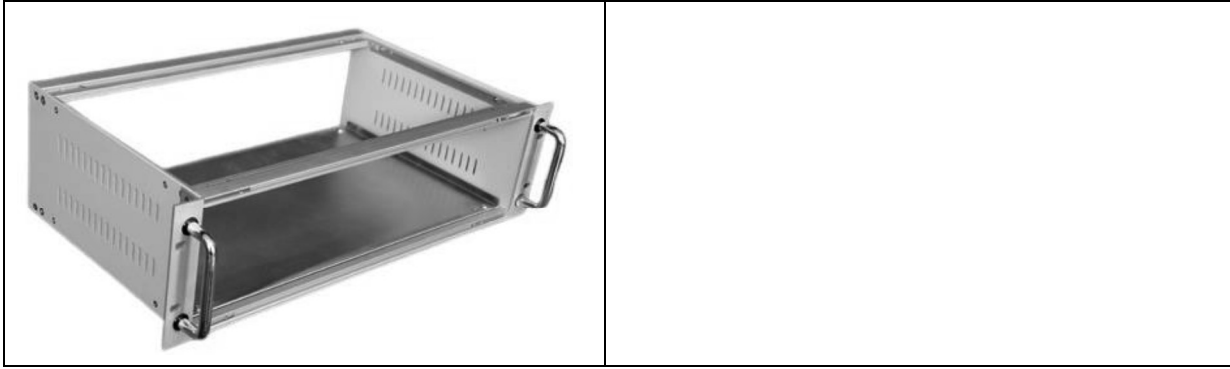
FRONT VIEW



SIDE VIEW







5. Deliverables by the vendor:

- a) Schematic Design in Altium Desiner;
- b) PCB layout Design in Altium Desiner;
- c) 2 fully functional Gas feed Pulse arbitrary pulse generator Circuit enclosures and 2 power amplifier enclosure as per IPR requirements; Enclosure power cords of both enclosures;
- d) VHDL source code with all meaning full comments (no hidden code);
- e) Functional LabVIEW Graphical User Interface source code (VI as LabVIEW project file) and LabVIEW run time application as per IPR requirements;
- f) 2 bare PCBs;
- g) A short technical report of functionality of the schematics, VHDL code & LabVIEW application.

6. Period of Work Completion:

- Timely completion of the contract is very much essential. The period of completion for the work contract is within 8 months from the date of order (Early completion is preferred).

7. Acceptance Criteria

- a) The work executed by the contractor will be approved & tested at different stages for its qualifications viz. Factory Acceptance Test, Site Acceptance Test at IPR, Bhat.
- b) Schematic Design, PCB layout, Procurement of the electronics components, Layout Labelling of the Enclosures, mounting Labelling of the Enclosures, Labelling of the Enclosures, need approval of IPR Engineer.
- c) Factory Acceptance Test: Visual inspection, Factory Acceptance test of all items for functionality, any defects, flaws etc. will be done by the IPR personnel in the presence of contractor at contractor's site to qualify delivery at IPR. Before supply, Inspection of all items at vendor site will be carried out by IPR to verify the deliverables as per the specifications.
- d) FAT will be performed Online (video conference) or Offline depending on the prevailing COVID situation and government COVID guidelines.
- e) Site Acceptance Test: Visual inspection, Site Acceptance test of all items for functionality, any defects, flaws etc. will be done by the IPR personnel IPR after delivery of the material. Vendor must carry out changes as suggested by IPR engineers.
- f) Contractor should submit Standard test reports/Certificates of items against the Compliance of Standard & quality as mentioned in the technical specifications.

8. Delivery:

- All the items as per the specifications must be delivered at IPR, Bhat after Factory Acceptance Test by IPR.

9. Warranty Period:

- 12 months: Warranty will be in effect from the date of acceptance letter given by IPR.

10. Standard of Workmanship and Material Used For Work

The contractor shall be required to execute the work in accordance with the standard of specifications for the workmanship and materials as per relevant Indian Standards and no deviation thereof shall be permitted without written permission from the Engineer in charge. The entire work shall be free from poor and faulty workmanship and the contractor shall be liable to rectify all faults and defects if occurred and noticed within one year (Defect liability period) from the date of completion of the work.

11. Defects Liability Period

The contractor will be required to rectify any defects caused during the period of **1 year**. The period of 1 year shall be reckoned from the date of final completion & acceptance of work as per Warranty clause. He will not be paid any extra amount whatsoever required for rectifying those defects. If the contractor does not agree for rectifying those defects the Institute shall rectify the same and the amount incurred on rectifying the defect will be deducted from his Security Deposit.

12. The Tenderer should sign all pages of the tender in token of acceptance of the terms and condition and return the same to IPR.

13. Note for quotation submission: Vendor must submit a single quotation including all the accessories mentioned above.

14. IPR format of quotation submission needs to be followed.

15. It is advised that the contractor should fully understand specifications, requirements, scope of supply work in consultation with engineer-in-charge.

16. The Director, Institute for Plasma Research reserves the right to accept or reject the Contract in full or in part without assigning any reasons thereof.

Vendor Offer & Compliance

Technical Specification for the Fabrication, Assembly and Supply of Gas feed Pulse arbitrary pulse generator Circuit & its accessories

1. Introduction:

IPR requires Gas feed Pulse arbitrary pulse generator Circuit. The vendor needs to design circuit using Xilinx FPGA, carry out PCB layout, and procure electronics components, its assembly, soldering, and assembly inside two enclosures.

2. IPR Provides following things as input to the work:

- a) Block diagram of arbitrary square wave generator circuit & requirements;

3. Scope of Work of the vendor:

Serial No. 3 Scope of Work of the vendor IPR Requirements	Vendor Agreement (YES / NO)
The scope of work includes, but not limited to, the following main tasks:	
a) Comprehensively Understand all the requirements of IPR;	
b) Schematic Design;	
c) Getting Schematic Approval from IPR after vendor corrects / updates / modifications schematic as suggested by IPR;	
d) PCB layout;	
e) Procurement of the electronics components of 2 PCBs, & 2 enclosure;	
f) Good Quality Soldering of the components on the 2 PCBs;	
g) Programing & testing of FPGA, developing & programming Graphical User interface using LabVIEW of 2 PCBs as per IPR requirements;	
h) Labelling of the Enclosure;	
i) PCB mounting in each enclosure using suitable spacers & screws;	
j) Mounting & internal wiring of all required connectors for inputs & outputs;	
k) IPR Engineers inspects work (Online / Offline whichever feasible);	
l) IPR Engineers suggest corrects / updates / modifications;	
m) Vendor implements changes;	
n) Vendor delivers material at IPR stores;	

4. IPR Requirements

Serial No. 4 IPR Requirements	Vendor Agreement (YES / NO)
A. Basic Requirements:	
B. LabVIEW graphical user interface	
C. Hardware Requirements Enclosure #1:	
Table 1 Pulse parameters specifications of Enclosure #1	
D. Functional Requirements of Enclosure #1:	
E. Hardware Requirements Enclosure #2:	
F. Functional Requirements of Enclosure #2:	
Table 2 Functional Specifications of Enclosure #2	
G. Enclosure	

5. Deliverables by the vendor:

Serial No. 5 Deliverables by the vendor	Vendor Agreement (YES / NO)
<ul style="list-style-type: none"> a) Schematic Design in Altium Desiner; b) PCB layout Design in Altium Desiner; c) 2 fully functional Gas feed Pulse arbitrary pulse generator Circuit enclosures and 2 power amplifier enclosure as per IPR requirements; Enclosure power cords of both enclosures; d) VHDL source code with all meaning full comments (no hidden code); e) Functional LabVIEW Graphical User Interface source code (VI as LabVIEW project file) and LabVIEW run time application as per IPR requirements; f) 2 bare PCBs; g) A short technical report of functionality of the schematics, VHDL code & LabVIEW application. 	

6. Period of Work Completion:

Serial No. 6 IPR Requirements	Vendor Agreement (YES / NO)— Specify delivery period
Timely completion of the contract is very much essential. The period of completion for the work contract is within 8 months from the date of order (Early completion is preferred).	

7. Acceptance Criteria

- a) The work executed by the contractor will be approved & tested at different stages for its qualifications viz. Factory Acceptance Test, Site Acceptance Test at IPR, Bhat.
- b) Schematic Design, PCB layout, Procurement of the electronics components, Layout Labelling of the Enclosures, mounting Labelling of the Enclosures, Labelling of the Enclosures, need approval of IPR Engineer.
- c) Factory Acceptance Test: Visual inspection, Factory Acceptance test of all items for functionality, any defects, flaws etc. will be done by the IPR personnel in the presence of contractor at contractor's site to qualify delivery at IPR. Before supply, Inspection of all items at vendor site will be carried out by IPR to verify the deliverables as per the specifications.
- d) FAT will be performed Online (video conference) or Offline depending on the prevailing COVID situation and government COVID guidelines.
- e) Site Acceptance Test: Visual inspection, Site Acceptance test of all items for functionality, any defects, flaws etc. will be done by the IPR personnel IPR after delivery of the material. Vendor must carry out changes as suggested by IPR engineers.
- f) Contractor should submit Standard test reports/Certificates of items against the Compliance of Standard & quality as mentioned in the technical specifications.

8. Delivery:

- All the items as per the specifications must be delivered at IPR, Bhat after Factory Acceptance Test by IPR.

9. Warranty Period:

- 12 months: Warranty will be in effect from the date of acceptance letter given by IPR.

10. Standard of Workmanship and Material Used For Work

The contractor shall be required to execute the work in accordance with the standard of specifications for the workmanship and materials as per relevant Indian Standards and no deviation thereof shall be permitted without written permission from the Engineer in charge. The entire work shall be free from poor and faulty workmanship and the contractor shall be liable to rectify all faults and defects if occurred and noticed within one year (Defect liability period) from the date of completion of the work.

11. Defects Liability Period

The contractor will be required to rectify any defects caused during the period of **1 year**. The period of 1 year shall be reckoned from the date of final completion & acceptance of work as per Warranty clause. He will not be paid any extra amount whatsoever required for rectifying those defects. If the contractor does not agree for rectifying those defects the Institute shall rectify the same and the amount incurred on rectifying the defect will be deducted from his SecurityDeposit.

12. The Tenderer should sign all pages of the tender in token of acceptance of the terms and condition and return the same to IPR.

13. It is advised that the contractor should fully understand specifications, requirements, scope of supply work in consultation with engineer-in-charge.

14. The Director, Institute for Plasma Research reserves the right to accept or reject the Contract in full or in part without assigning any reasons thereof.

Vendor Sign & Company Stamp



Form No: IPR-MFW-01.V1

INSTRUCTIONS TO BIDDERS AND TERMS AND CONDITIONS

1. The Quotation and any order resulting from this enquiry shall be governed by our Conditions of Work Order and Contractor quoting this enquiry shall be deemed to have read and understood the same completely.
 2. Where counter terms and conditions have been offered by the Tenderer, the same shall not be deemed to have been accepted by IPR unless our specific written acceptance thereof is obtained.
 3. **Quotation:** Quotation should be submitted in the prescribed QUOTATION FORMAT attached with this Enquiry and the same should be submitted in a sealed envelope super-scribing the same with our enquiry No., date, due date and brief description of item on or before the due date. Late/delayed/incomplete/unsigned quotations will not be considered. Envelopes received without Enquiry number, date, due date and brief description of item may be rejected. The quoted prices should be firm for a period of 90 days from due date for placing order. IPR is not bound to accept lowest rate/s. IPR reserves the right to place on one or more parties. The scope of supply includes insurance by the Contractor.
 4. **Specifications:** Goods should be offered strictly conforming to our specifications/drawings. Deviation, if any, should be clearly indicated by the contractor in their quotation. The Tenderer should also indicate the Make/Type number of the goods offered and catalogues, technical literature and samples, wherever necessary should accompany the quotation. Clarification/s on drawings should be obtained before submitting quotation.
 5. **Terms of Prices:** Quotation should be submitted on door delivery basis without extra charge wherever possible. For quotations on Ex-Works, Ex-godown basis the approximate packing and forwarding charges should be indicated by the contractor. In the case of local contractors, the goods are to be delivered at our stores free of charge.
 - 5.1 In respect of tenders on Ex-works basis, in case the tenderer has not mentioned in the offer packing, forwarding and transportation charges for safe delivery up to Purchaser's site, 2% of the price quoted towards packing (in respect of both local and outstation firms), 1% of the basic price quoted towards safe delivery charges in respect of local tenderer and 3% of the basic price quoted towards safe delivery charges in respect of outstation firm will be added for comparison of offers on safe door delivery at Purchaser's site.
 - 5.2 Prices are required to be quoted according to the units indicated in the tender form/Enquiry. When Quotations are given in terms of units other than those specified in the tender form, relationship between the two sets of units must be furnished
 6. Tender should be free from Correction and Erasures. Corrections, if any, must be attested. All amounts shall be indicated both in words as well as in figures. Where there is difference between amounts quoted in words and figures, amount quoted in words shall prevail. Unsigned quotations will summarily be rejected. If there is a discrepancy between the unit price and total price, unit price shall prevail.
 7. IPR shall be under no obligation to accept the lowest or any tender and reserves the right of acceptance of the whole or any part of the tender or portion of the quantity offered and the tenderers shall supply the same at the rate quoted.
 8. **Goods & Services Tax (GST):** The details of Taxes/GST and other levies legally applicable and intended to be claimed should be clearly indicated in the tender. Where this is not done, no claim on these accounts would be admissible later.
 - a) **GST for Goods (IGST/CGST/SGST TAX BENEFITS):**

IPR is entitled to avail tax benefit as per the following notifications issued by Ministry of Finance, Department of Revenue, Government of India:
(1) No: 47/2017-INTEGRATED TAX (RATE) DATED 14/11/17 for IGST
(2) No: 45/2017-CENTRAL TAX (RATE) DATED 14/11/17 for CGST
And,
IPR is entitled to avail tax benefit as per the following notifications issued by Finance Department, Government of Gujarat:
(1) No. 45/2017-STATE TAX (RATE) DATED 15/11/17 for SGST
As per above notifications IPR will bear only 5% IGST for procurement of goods from outside Gujarat & 2.5% CGST and 2.5% SGST (total 5%) for procurement of goods within Gujarat. Vendors are required to charge tax as per these notifications while quoting/supplying the goods. Deviations, (if any) should be clearly mentioned in the quotation/offer.
- Please specify the HSN codes while quoting.
- b) **GST for Services:**

As applicable. Specify the SAC codes wherever services are involved.
9. **Delivery Date:** Delivery period is essence of the Contract. Contractor must indicate the firm delivery date by which the goods will be dispatched or delivered by them from the date of our order. Delivery period shall be clearly indicated against each item separately.
 10. **Price/ Purchase Preference:** Purchase/Price preference to industries will be given as per the policy of the Government of India in force at the time of evaluation provided their offer is in compliance with the conditions of the policy.



11. **Liquidated Damages:** The successful Vendor/Bidder should pay liquidated damages @ ½% (half percent) of the total work order value for the delay of each week in the scheduled date of completion of the work envisaged in the Work Order subject to a maximum of 5% (Five percent) of the total Work Order value.
12. **Inspection:** Goods on its arrival at IPR will be inspected by Stores, and his decision in the matter will be final. However, where the items are required to be inspected at the Contractors Premises, Contractor has to give advance notice regarding readiness of the Goods to enable us to depute our representative for inspection.
13. **Payment:** Payment will be arranged for accepted goods only within 30 days from the date of receipt of goods at IPR and bills in our accounts section, completed in all respects.
14. No correspondence will be entertained within 30 days from the date of receipt of good and bills, whichever is later.
15. **Guarantee:** The Stores offered should be guaranteed for a minimum period of twelve months, from that date of acceptance, against defective Goods, design, workmanship, operation or manufacture. For defects noticed and communicated during the Guarantee period, replacement/rectification should be arranged free of cost within a reasonable period of such notifications. In case where our specifications call for a guarantee period more than 12 months specifically, then such a period shall apply.
16. **Performance Bank Guarantee:** If demanded by IPR, the successful bidder will have to furnish Performance Bank Guarantee for 10% of the order value (basic price) from a Nationalized/Scheduled Bank/State Bank of India, valid throughout the Guarantee/Warranty period. The scheduled banks approved by IPR are Axis Bank, HDFC Bank, ICICI Bank and IDBI Bank. Bank Guarantees submitted other than from banks approved by IPR will not be accepted.
17. **Security Deposit:** If demanded the successful Bidder will have to furnish to the Purchaser an interest free security deposit for 10% (Ten percent) of the order value in the form of Bank Guarantee of an equivalent amount from a nationalized/ scheduled Bank/State Bank of India within 15 days from the date of work order and the said Guarantee should be valid till the goods are accepted by IPR. The scheduled banks approved by IPR are Axis Bank, HDFC Bank, ICICI Bank and IDBI Bank. Bank Guarantees submitted other than from banks approved by IPR will not be accepted. The Security deposit shall be forfeited in case the selected Bidder does not start the work within the time limit specified or fail to complete the work within the stipulated delivery period or fail to comply with any of the terms and conditions in the work order. On successful completion of scope of work and its acceptance by IPR, Contractor should send a letter requesting return of the original BG.
18. The Contractor shall at all times indemnify the purchase against all claims which may be made in respect of the stores for infringement of any right protected by Patent Registration of design or Trade Mark and shall take all risk of accidents or damage, which may cause failure of supply from whatever cause arising and the entire responsibility for sufficiency of all means used by him for the fulfilment of the contract.
19. **Free Issue Material (FIM):** Successful tenderer will have to arrange insurance showing beneficiary as “Institute for Plasma Research” at their risk and cost towards adequate security for the materials/property provided/issued by the Purchaser as Free Issue Material for the due execution of the contract.
20. The Director, IPR reserves the right to accept or reject any quotations fully or partly or to cancel the enquiry without assigning any reason.
21. **Jurisdiction:** The contract shall be governed by the Laws of India for the time being in force. The Courts of Gandhinagar only shall have jurisdiction to deal with and decide any legal or dispute arising out of this Contract.

(This need to be printed in Bidders letter head)

1. Please quote with complete technical details along with technical compliance sheet.
2. Quotation should be submitted in the format given below, else IPR shall not consider the offer by the vendor.

NAME OF PARTY : _____

ENQUIRY NO: _____

QUOTATION No. & DATE : _____

Currency of Quotation: **Indian Rupees**

Sr. No.	Item Description	HSN/SAC Code	Quantity	Unit Rate (Basic)	Packaging & forwarding (P&F)	Applicable GST	Rate (incl P&F and GST)	Total Value
			a	b	c	d	e = b + c + d	f = a * e
1								
2								
3								
4								
5								
6								

Sr. No.	Particular	Remarks
I.	Ex-works / FOR Destination	
II.	Freight	
III.	Insurance	
IV.	Delivery Period	
V.	Payment (IPR terms will apply)	
VI.	Guarantee / Warrantee	
VII.	Validity Period	
VIII.	Discount (if any)	
IX.	Remarks	

Place: Authority Signatory

Date: Company Seal

Note:

1. Bidder should submit the copy of GSTIN / ARN Certificate along with the offer
2. Bidder should specify the SUPPLY and SERVICE rates/ charges separately wherever applicable