
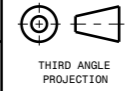


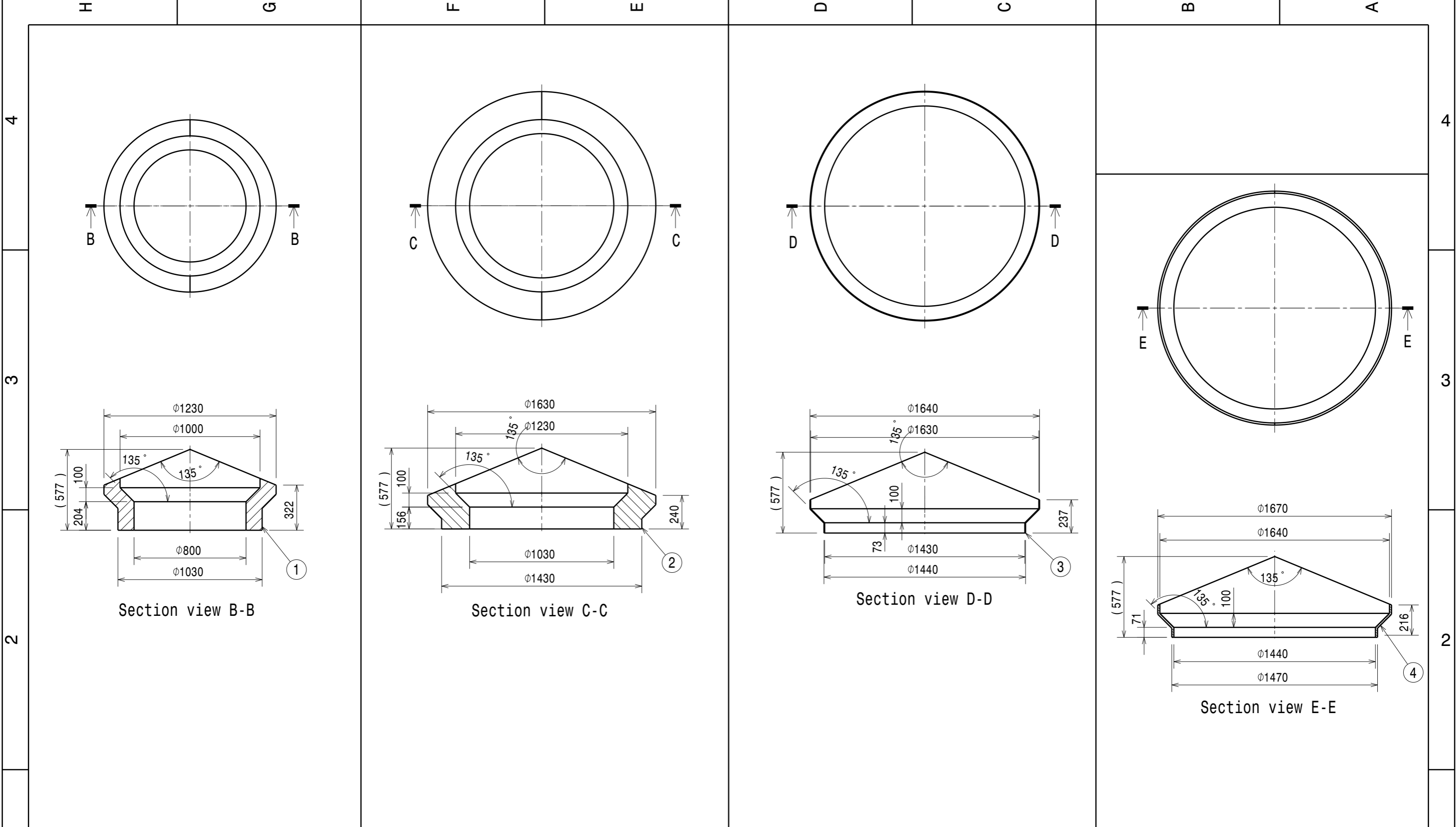
Isometric view

Item No.	Description	Quantity	Material	Remarks
15	PART 15	4	SA-106 GR. B	-
14	PART 14	2	310/316Ti/321	-
13	PART 13	2	SA-105	-
12	PART 12	4	SA-106 GR. B	-
11	PART 11	2	SA-105	-
10	PART 10	2	SA-105	-
9	PART 9	1	SA-105	-
8	PART 8	2	SA-516 GR. 70	-
7	PART 7	2	-	-
6	PART 6	2	-	-
5	PART 5	2	-	-
4	PART 4	1	SA-516 GR. 70	-
3	PART 3	1	-	-
2	PART 2	1	-	-
1	PART 1	1	-	-

PART NO- 1-1

Section view A-A

DRG. NO	▽ 8-25	▽ 1.6-8	▽ 0.025-1.6	▽ < 0.025	REVISION COLUMN					ASS'Y GROUP/ DIVISION: APD/IPR	SIZE A3	 INSTITUTE FOR PLASMA RESEARCH BHAT, GANDHINAGAR-382 428. INDIA			
CO-ORDINATED BY					REV	ZONE	DESCRIPTION	DATE	REMARKS	APPROVED BY	ALL DIMENSIONS ARE IN "mm" UNLESS OTHERWISE STATED		 TITLE FEEDER CHAMBER MANIFOLD ASSY.		
COMPONENT MANUFACTURING/FABRICATION AND ASSEMBLY AS PER ASME Y 14.5 AND ISO 2768											SCALE	NTS	DATE	REF DRG NO: IPR/APD/20/A3/CBUTF/A	REV 00
											DRAWN	SK PATNAIK	20/02/2020		
											CHECKED	ATIK MISTRY			
											APPROVED				



DRG. NO ▽ 8-25 ▽ 1.6-8 ▽ 0.025-1.6 ▽ < 0.025

REVISION COLUMN

ASS'Y GROUP / DIVISION: APD/IPR SIZE A3

INSTITUTE FOR PLASMA RESEARCH
BHAT, GANDHINAGAR-382 428.
INDIA

CO-ORDINATED BY

ALL DIMENSIONS ARE IN 'mm' UNLESS OTHERWISE STATED

COMPONENT MANUFACTURING/FABRICATION AND ASSEMBLY AS PER ASME Y 14.5 AND ISO 2768

SCALE NTS DATE

TITLE **PART 1,2,3,4**

REV	ZONE	DESCRIPTION	DATE	REMARKS	APPROVED BY

DRAWN SK PATNAIK

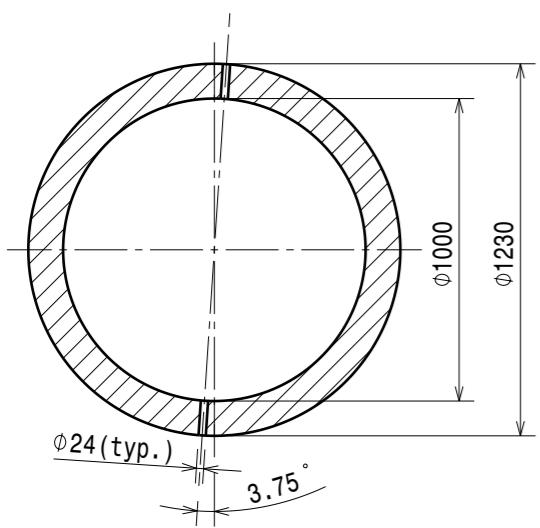
REF DRG NO: IPR/APD/20/A3/CBUTF/A REV 00

CHECKED ATIK MISTRY

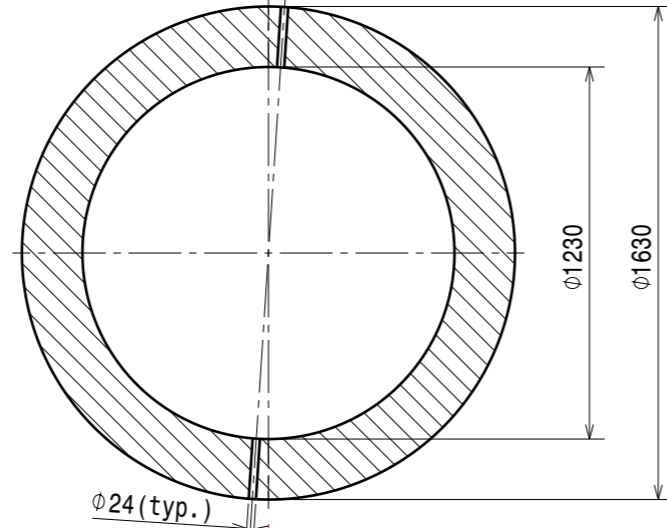
DRG. NO IPR/APD/20/A3/CBUTF/A/01 SHEET 02 OF 04

APPROVED

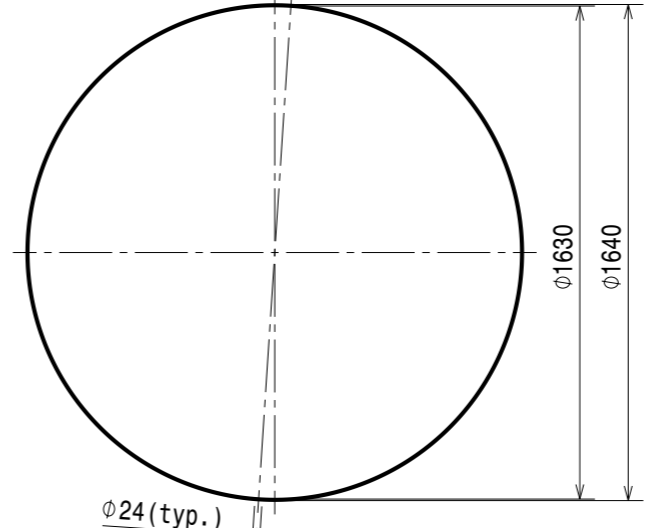
H G F E D C B A



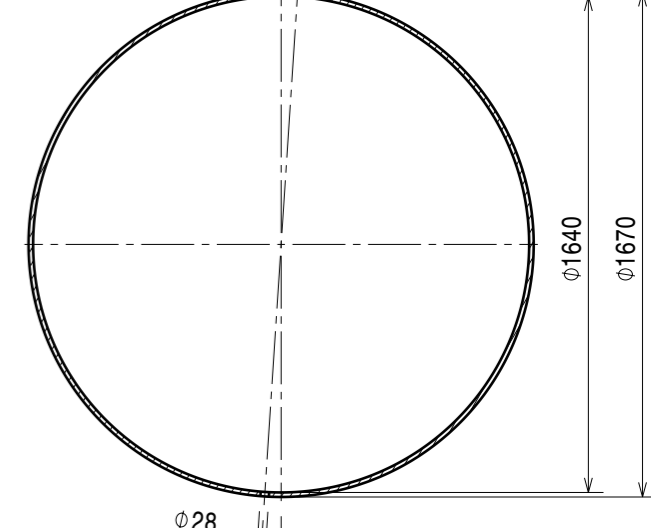
Section view P-P



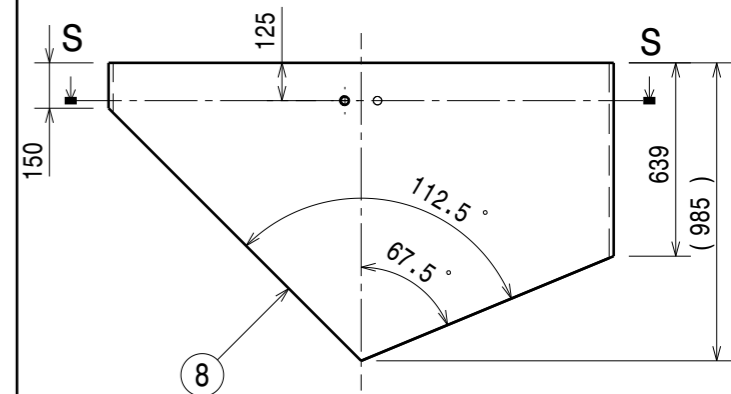
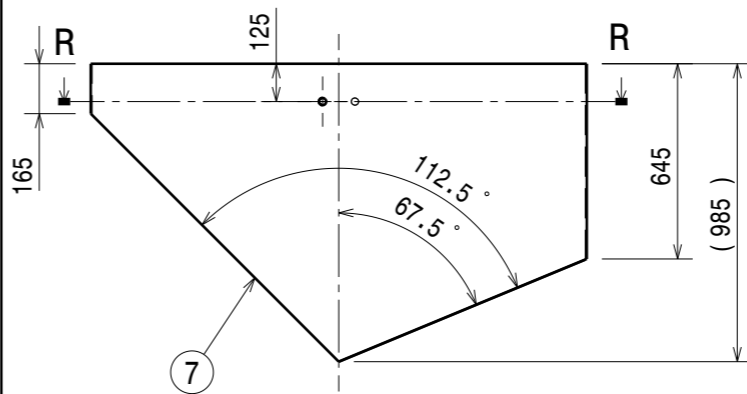
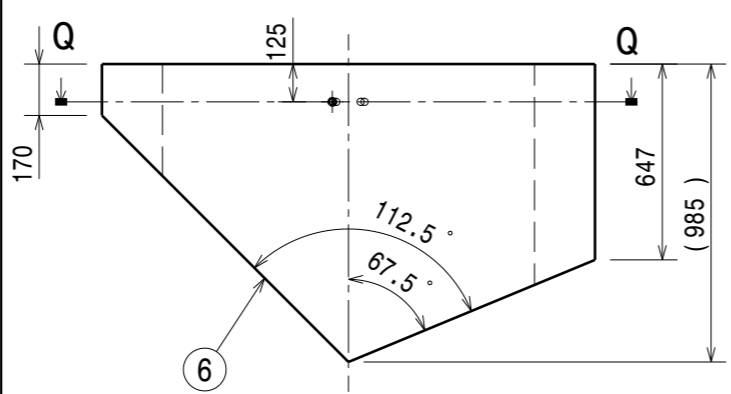
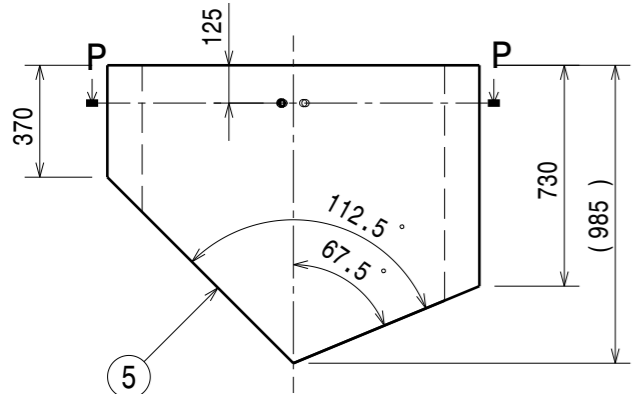
Section view Q-Q



Section view R-R



Section view S-S



DRG. NO	▽ 8-25	▽▽ 1.6-8	▽▽▽ 0.025-1.6	▽▽▽▽ < 0.025
---------	--------	----------	---------------	--------------

REVISION COLUMN					
REV	ZONE	DESCRIPTION	DATE	REMARKS	APPROVED BY

ASS'Y GROUP/ DIVISION: APD/IPR	SIZE A3	
ALL DIMENSIONS ARE IN 'mm' UNLESS OTHERWISE STATED		
SCALE	NTS	DATE
DRAWN	SK PATNAIK	20/02/2020
CHECKED	ATIK MISTRY	
APPROVED		

INSTITUTE FOR PLASMA RESEARCH
BHAT, GANDHINAGAR-382 428.
INDIA

TITLE
PART 5,6,7,8

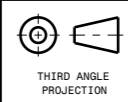
REF DRG NO: IPR/APD/20/A3/CBUTF/A

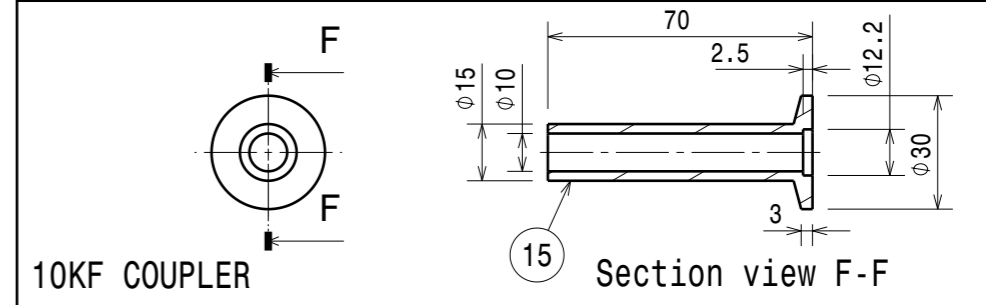
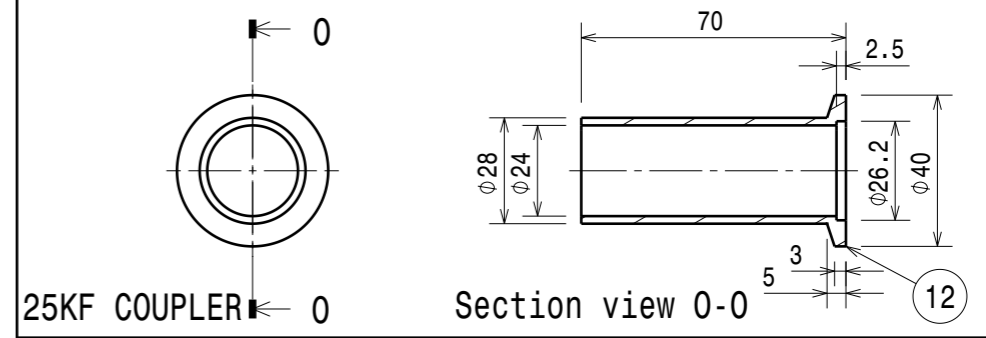
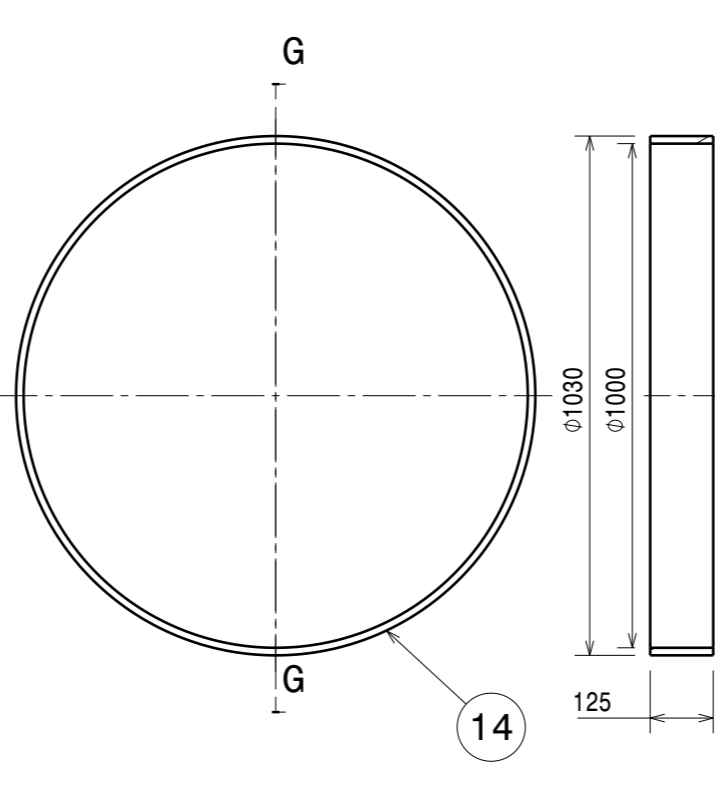
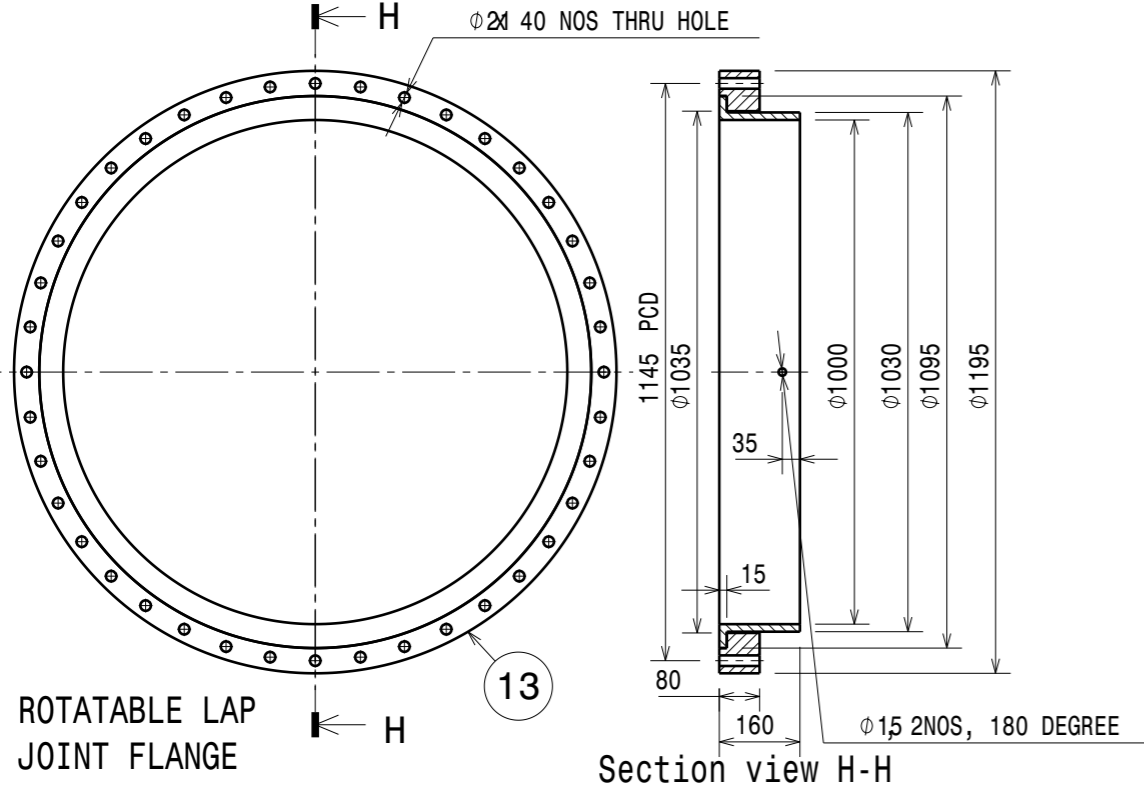
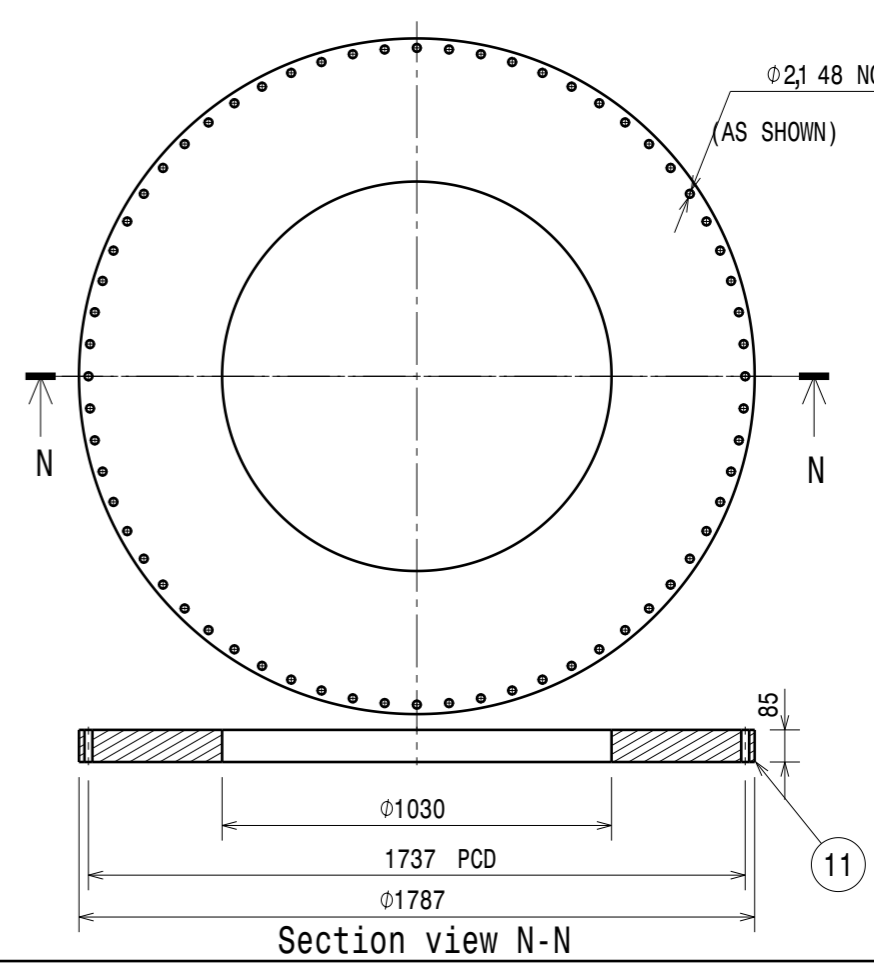
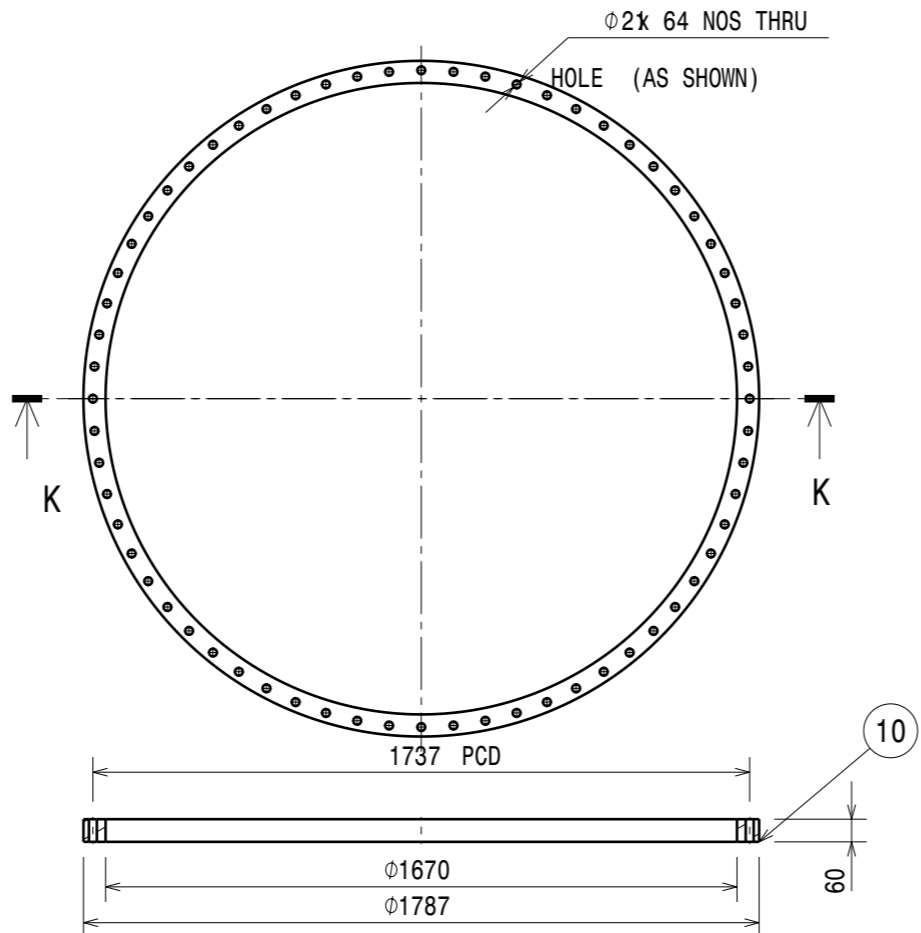
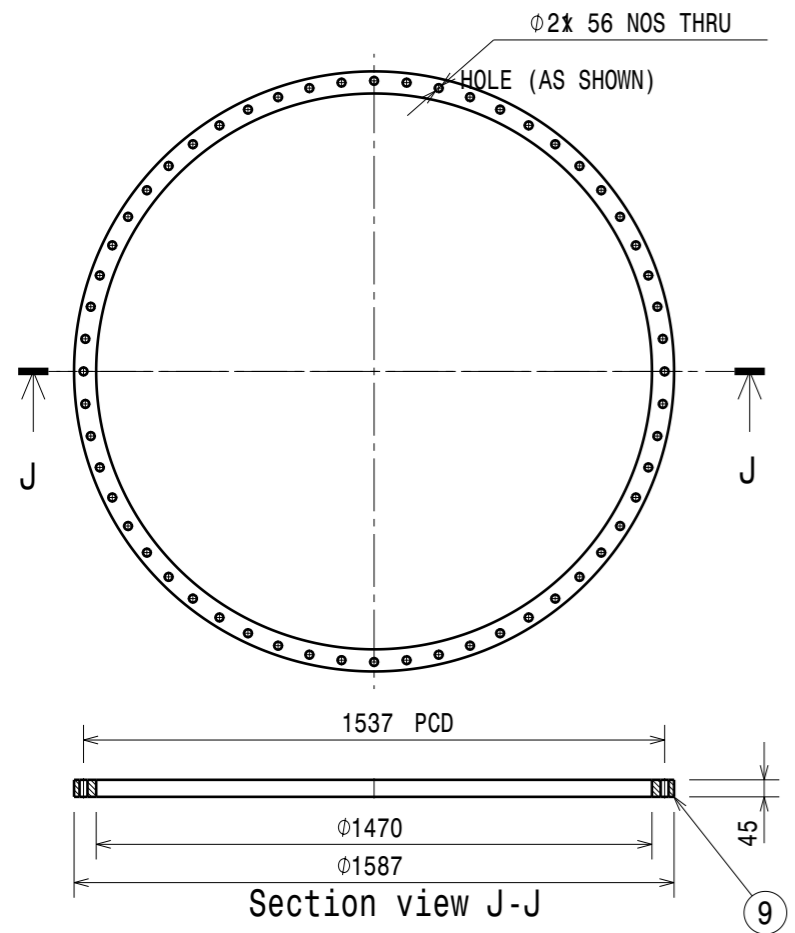
REV **00**

DRG. NO IPR/APD/20/A3/CBUTF/A/01

SHEET
03 OF 04

COMPONENT MANUFACTURING/FABRICATION AND ASSEMBLY AS PER ASME Y 14.5 AND ISO 2768





COMMON NOTES FOR FLANGE UNLESS OTHERWISE SPECIFIED:-
 1. INTEGRAL TYPE FLANGE SHOULD BE FABRICATED.
 2. RAISED FACE THICKNESS OF 2 mm SHALL BE MACHINED IN EXCESS OF FLANGE THICKNESS.

DRG.NO	▽ 8-25	▽ 1.6-8	▽ 0.025-1.6	▽ < 0.025	REVISION COLUMN					
CO-ORDINATED BY					REV	ZONE	DESCRIPTION	DATE	REMARKS	APPROVED BY
COMPONENT MANUFACTURING/FABRICATION AND ASSEMBLY AS PER ASME Y 14.5 AND ISO 2768										

ASS'Y GROUP/ DIVISION: APD/IPR	SIZE A3	INSTITUTE FOR PLASMA RESEARCH BHAT, GANDHINAGAR-382 428. INDIA	
ALL DIMENSIONS ARE IN 'mm' UNLESS OTHERWISE STATED			
SCALE	NTS	DATE	TITLE PART 9,10,11,12,13,14,15
DRAWN	SK PATNAIK	20/02/2020	
CHECKED	ATIK MISTRY	REF DRG NO: IPR/APD/20/A3/CBUTF/A	REV 00
APPROVED		DRG.NO IPR/APD/20/A3/CBUTF/A/01	SHEET 04 OF 04