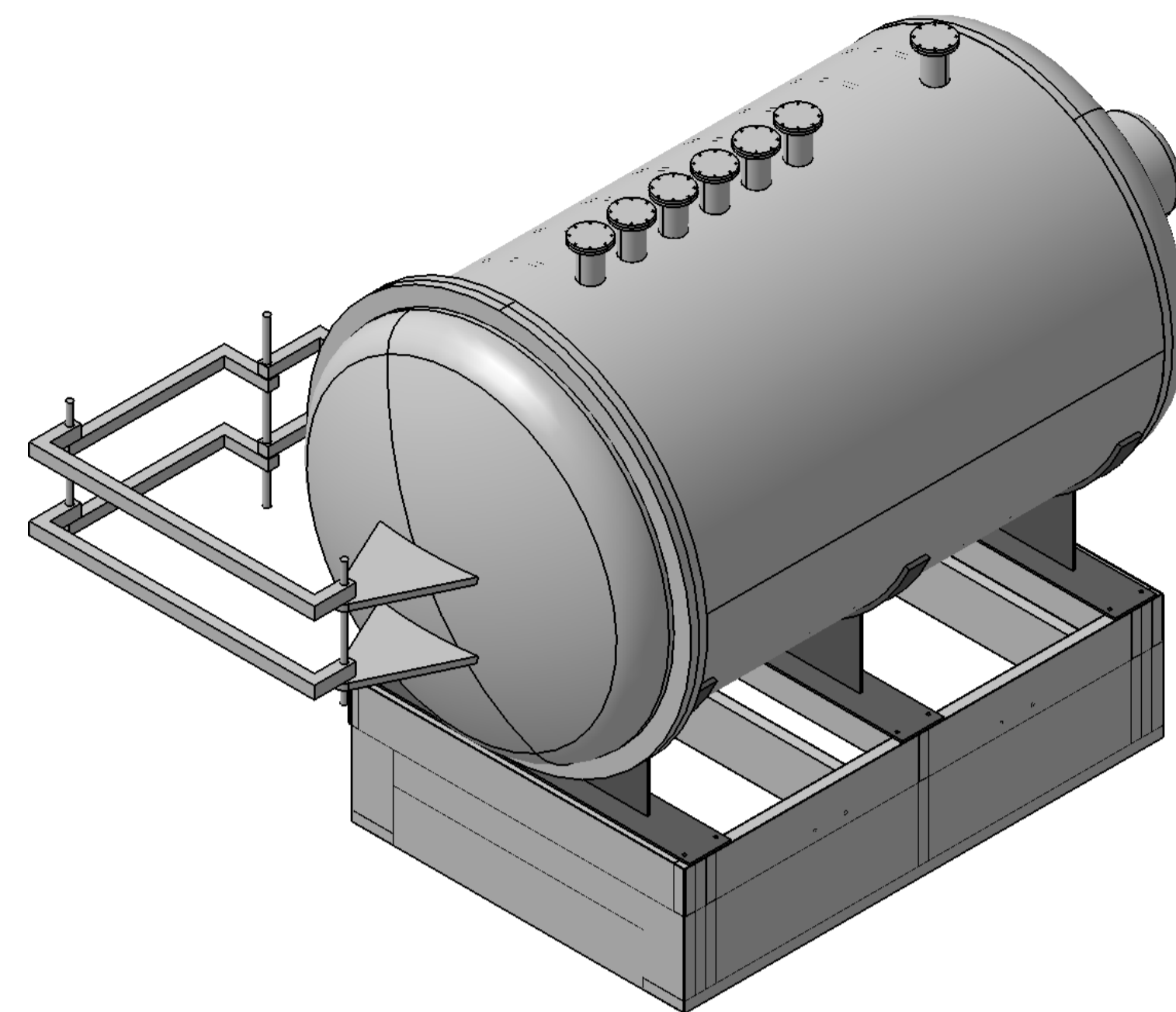
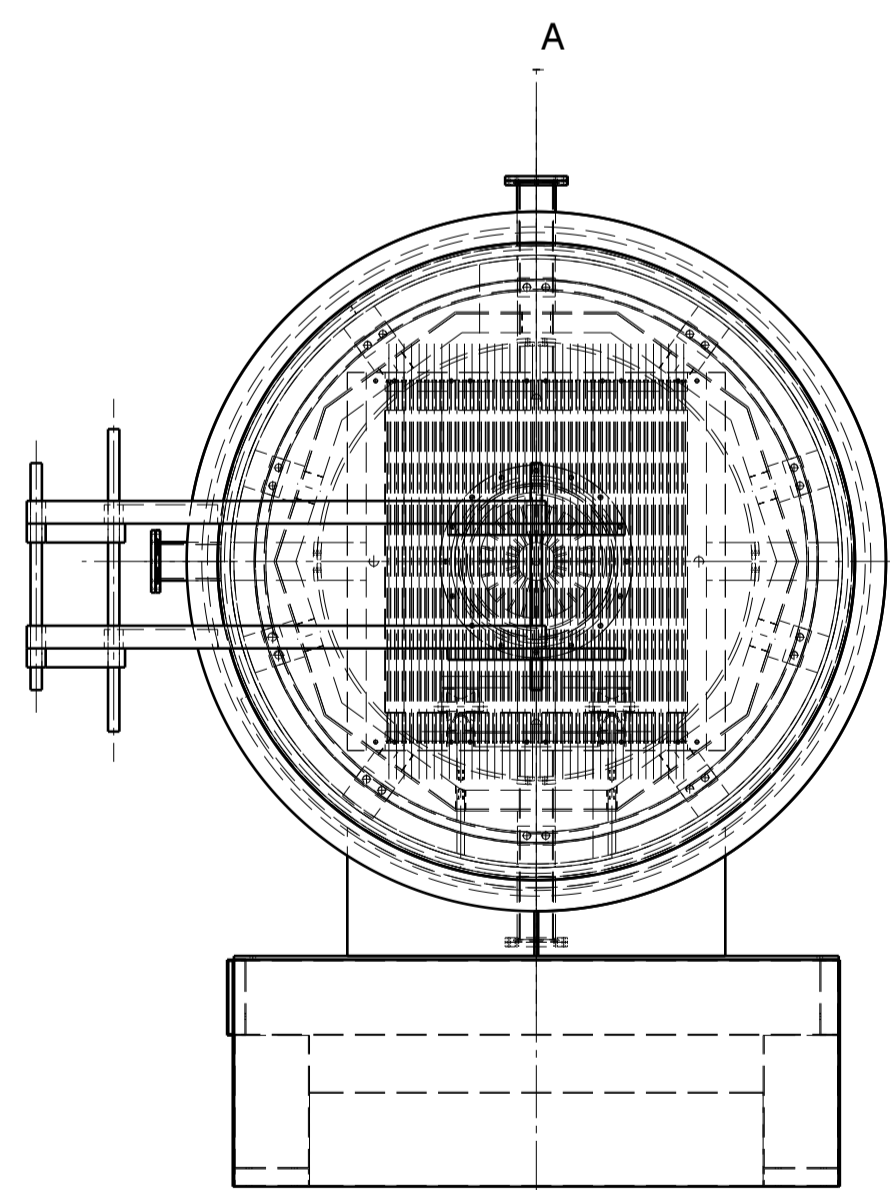


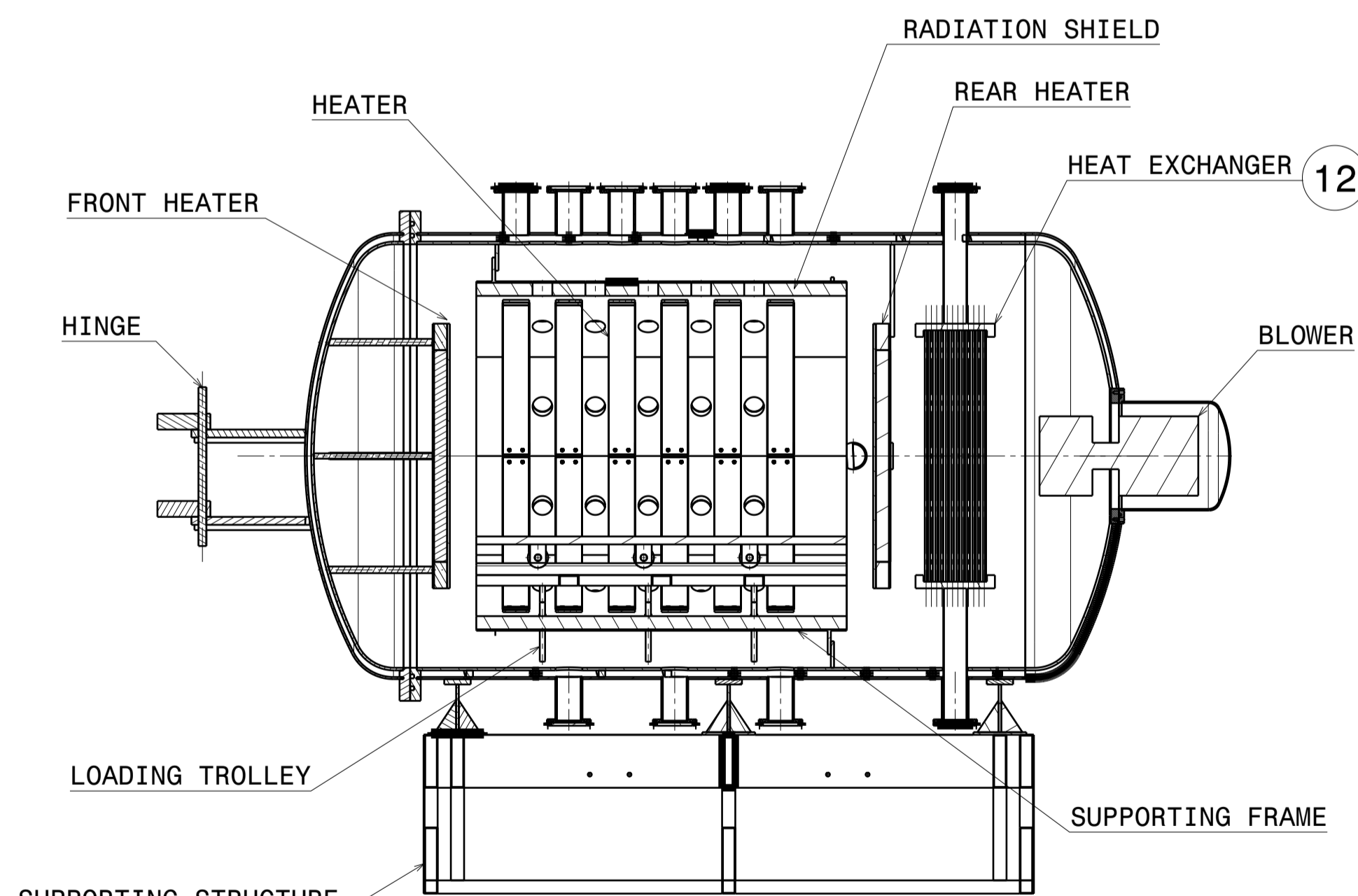
Top view
Scale: 1:20



Isometric view
Scale: 1:20



Front view
Scale: 1:20



Section view A-A
Scale: 1:20

DRG. NO	▽ 8-25	▽▽ 1.6-8	▽▽▽ 0.025-1.6	▽▽▽▽ < 0.025	REVISION COLUMN				ASS'Y GROUP:	SIZE	INSTITUTE FOR PLASMA RESEARCH										
CO-ORDINATED BY					REV	ZONE	DESCRIPTION	DATE	REMARKS	APPROVED BY	SCALE	DATE	TITLE	BHAT, GANDHINAGAR-382 428.							
MACHINING DEVIATIONS FOR NON-TOLERANCED DIMENSIONS														DRAWN		VRP		REF DRG NO: A1		REV RD	
LENGTH IN mm OF SHORTER SIDE OF ANGLES					LENGTH OR DIA	UPTO 6	6-30	30-120	120-315			DESIGNED		AKSHAY		SHEET 03 OF 05					
UPTO 10					10-50	50-120	OVER 120-400					APPROVED		AKSHAY		DRG. NO A1					
+1'					+0'-30'	+0'-20'	+0'-10'														