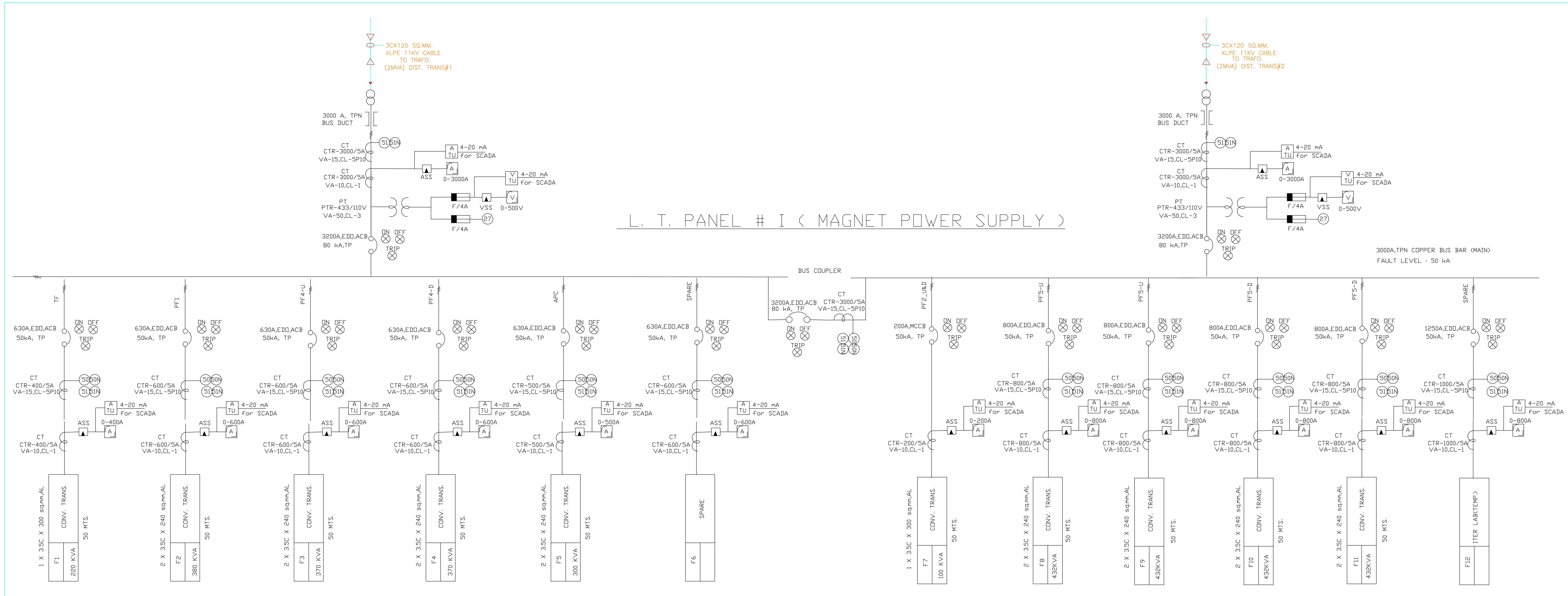
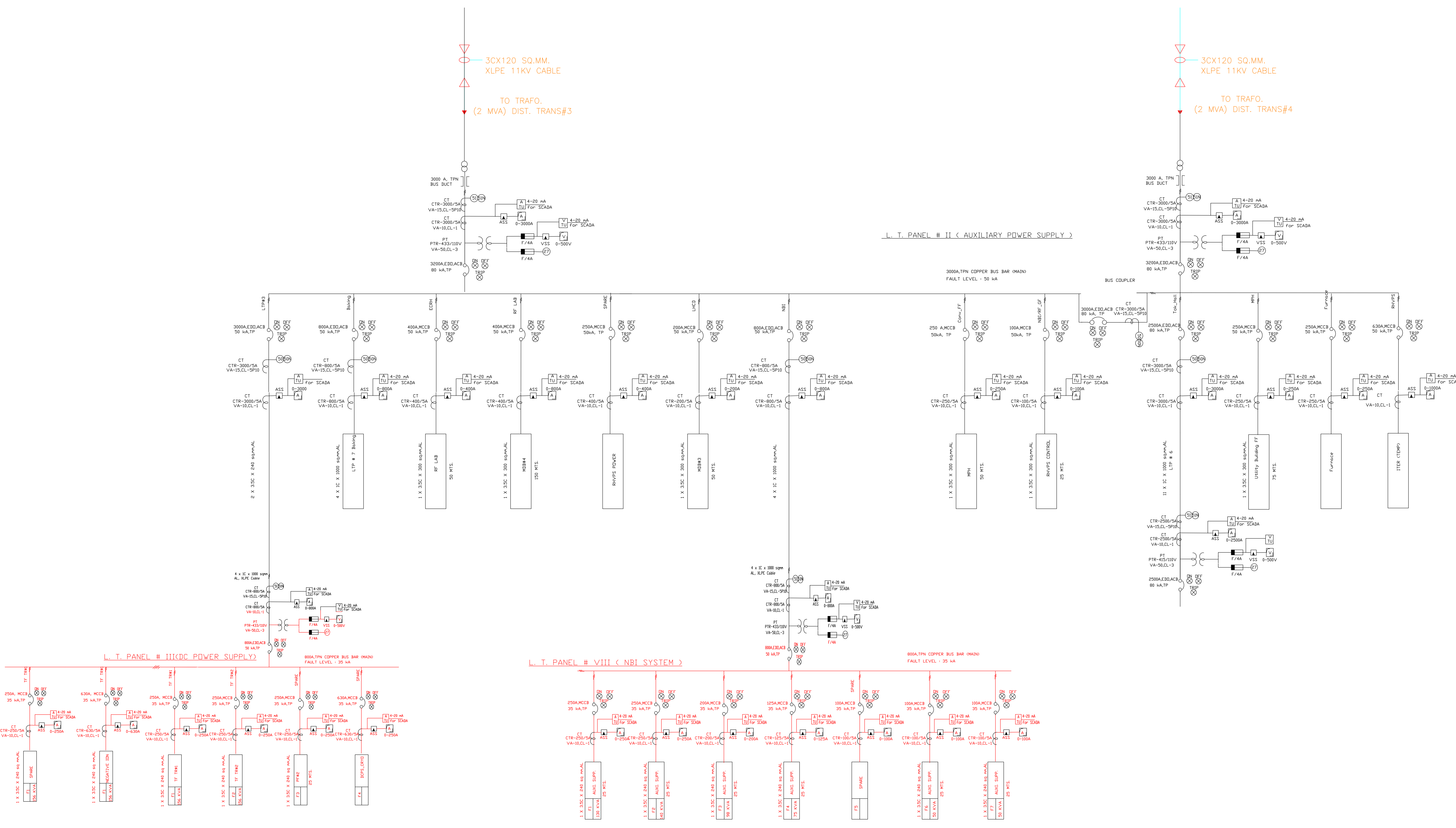


L. T. PANEL # I (MAGNET POWER SUPPLY)





3CX120 SQ.MM.
XLPE 11KV CABLE

TO TRAF.
(2 MVA) DIST. TRANS#3

3CX120 SQ.MM.
XLPE 11KV CABLE

TO TRAF.
(2 MVA) DIST. TRANS#4

L.T. PANEL # II (AUXILIARY POWER SUPPLY)

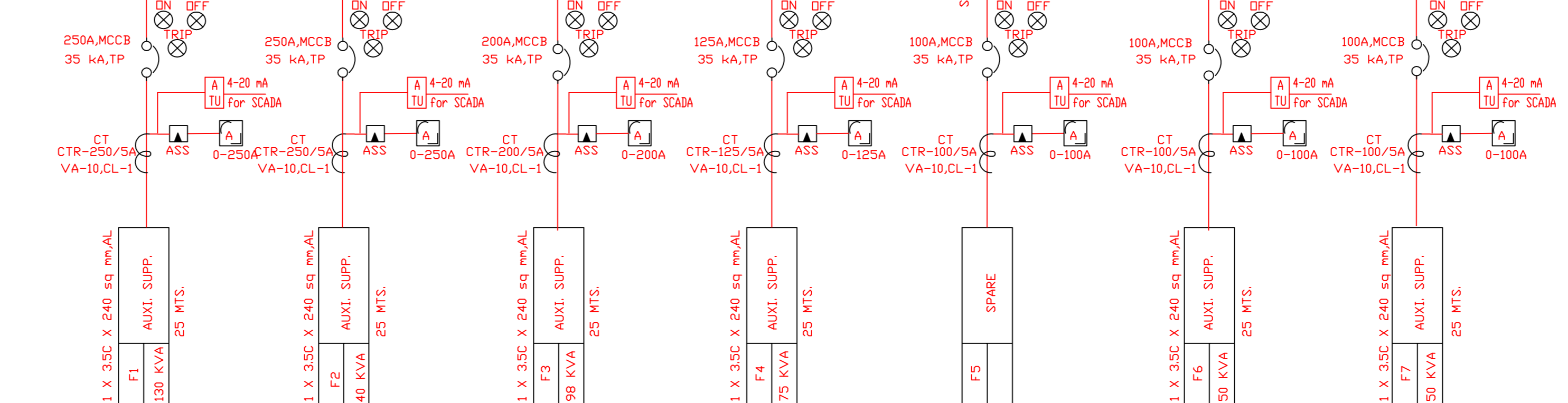
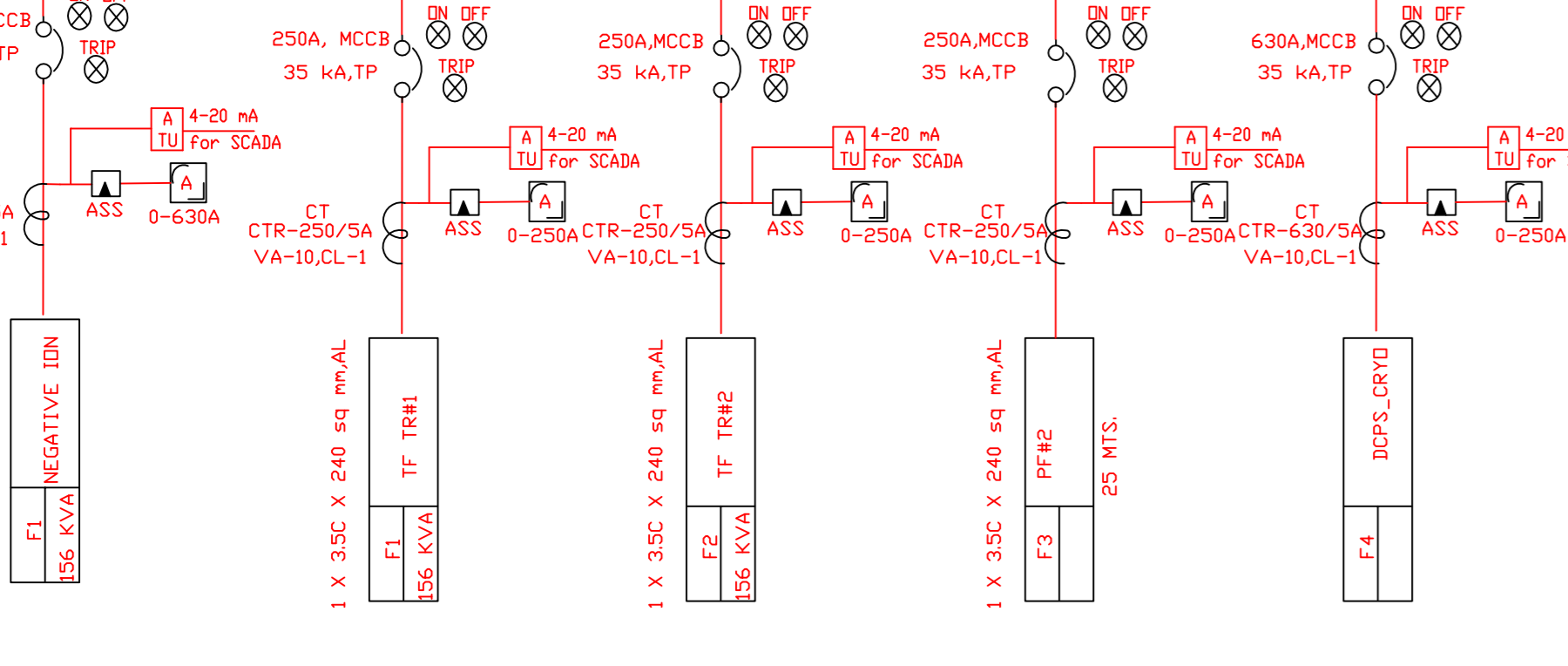
3000A TPN COPPER BUS BAR (MAIN)
FAULT LEVEL = 50 KA

L.T. PANEL # VIII (NBI SYSTEM)

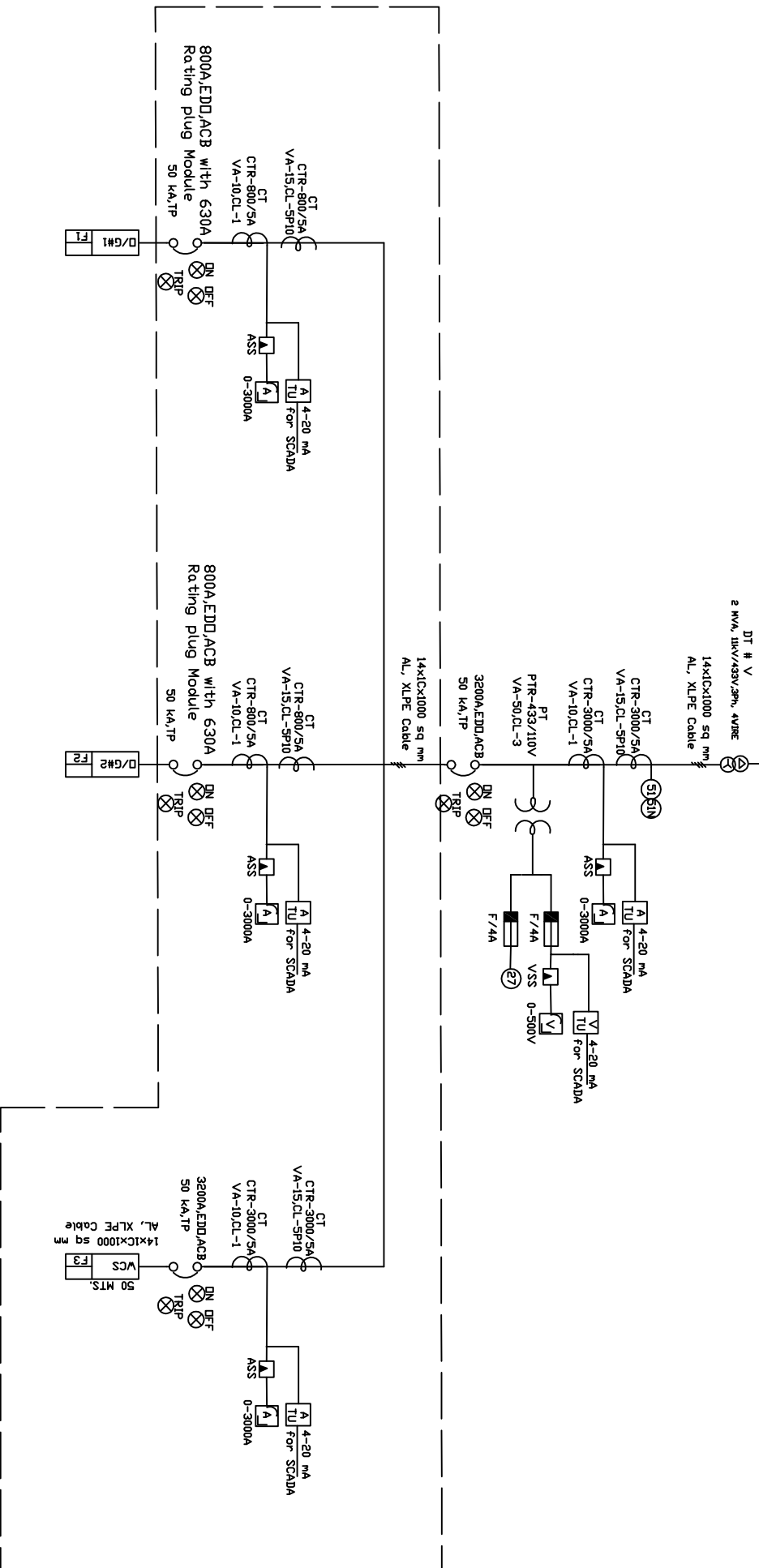
800A TPN COPPER BUS BAR (MAIN)
FAULT LEVEL = 35 KA

L.T. PANEL # III (DC POWER SUPPLY)

800A TPN COPPER BUS BAR (MAIN)
FAULT LEVEL = 35 KA



From S4 Bus

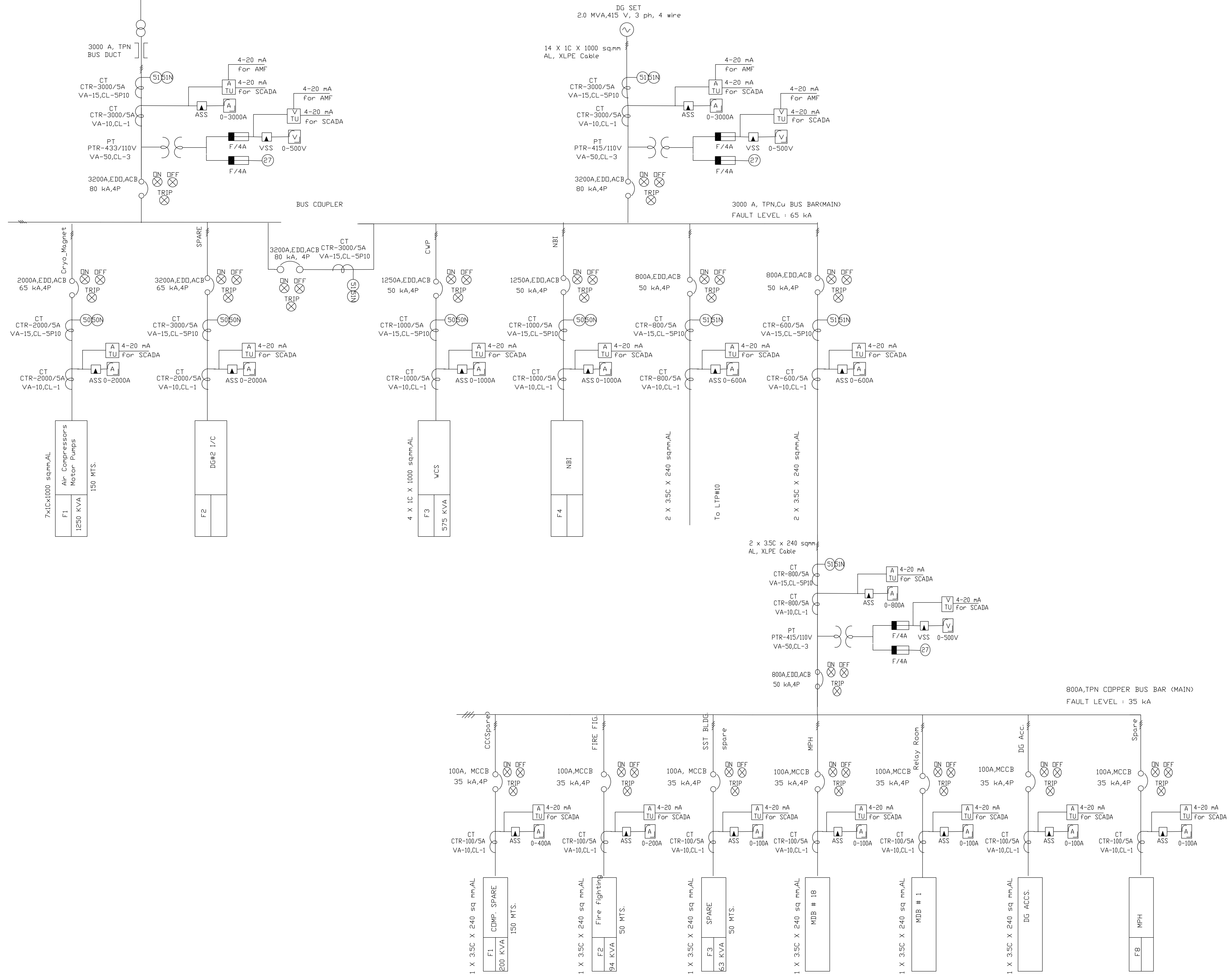


SLD_New Scheme after integration

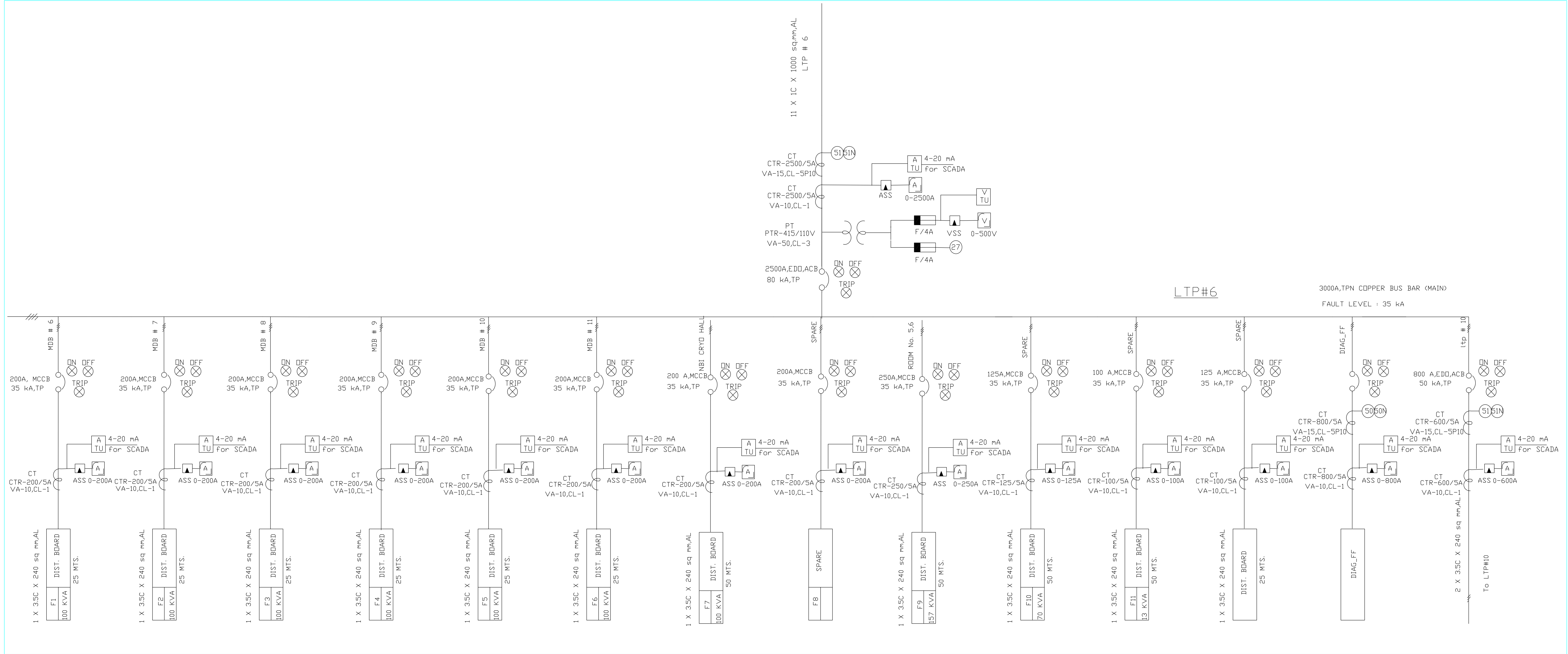
3CX120 SQ.MM.
XLPE 11KV CABLE

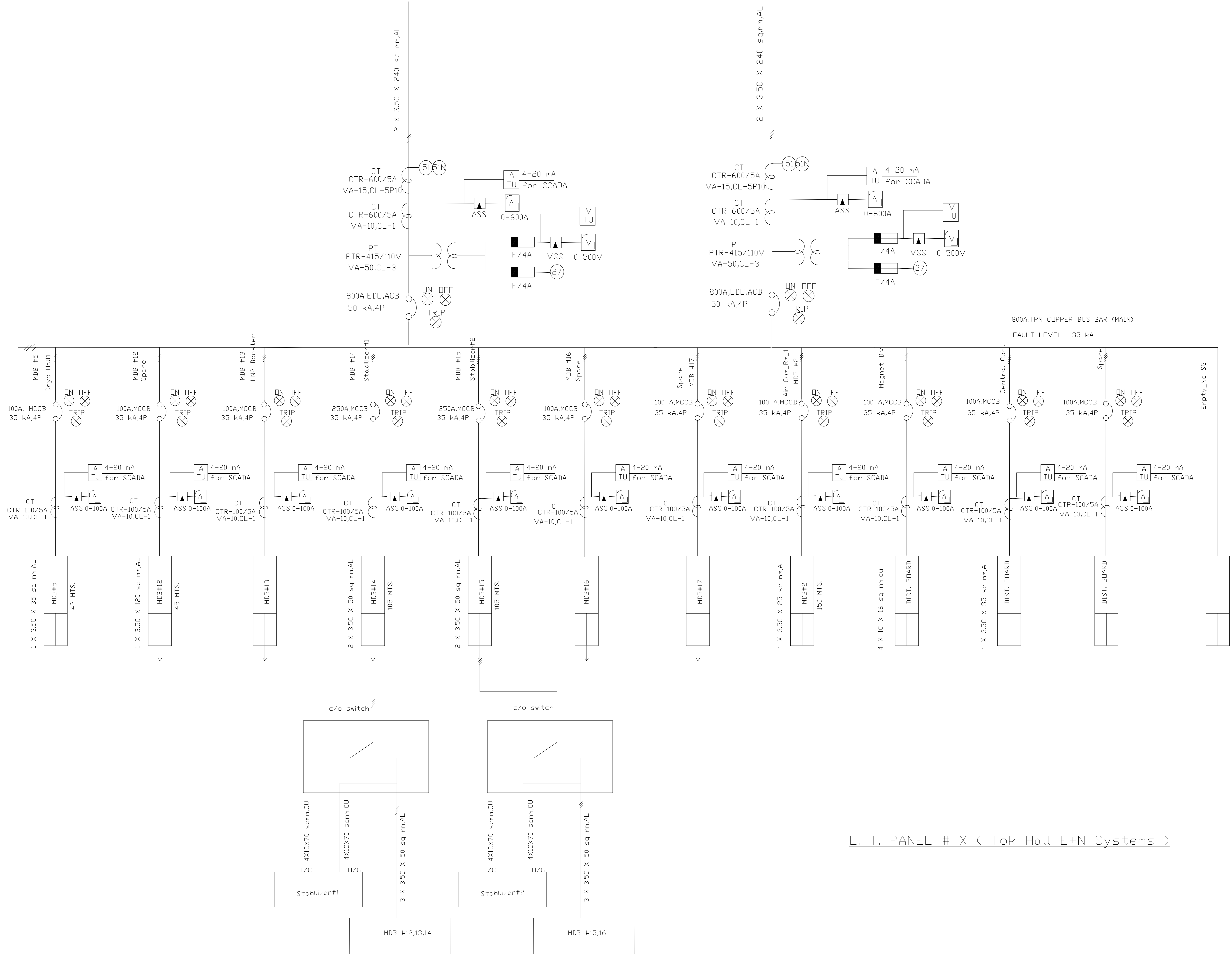
TO TRAFU.
(2MVA) COOLING WATER DIST. TRANS#6

L. T. PANEL # V (Emergency Power Supply)



L. T. PANEL # IX (Other Emergency Systems)





L. T. PANEL # X (Tok Hall E+N Systems)

